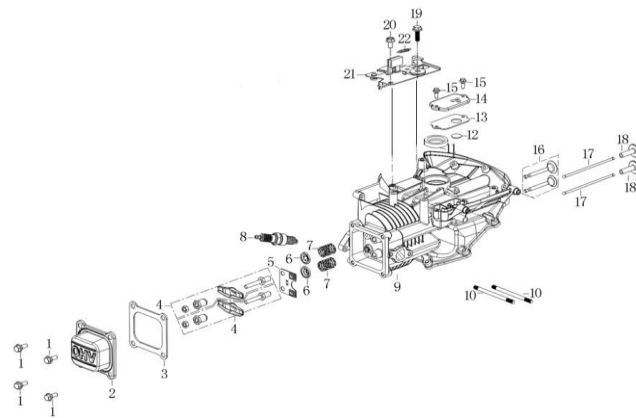


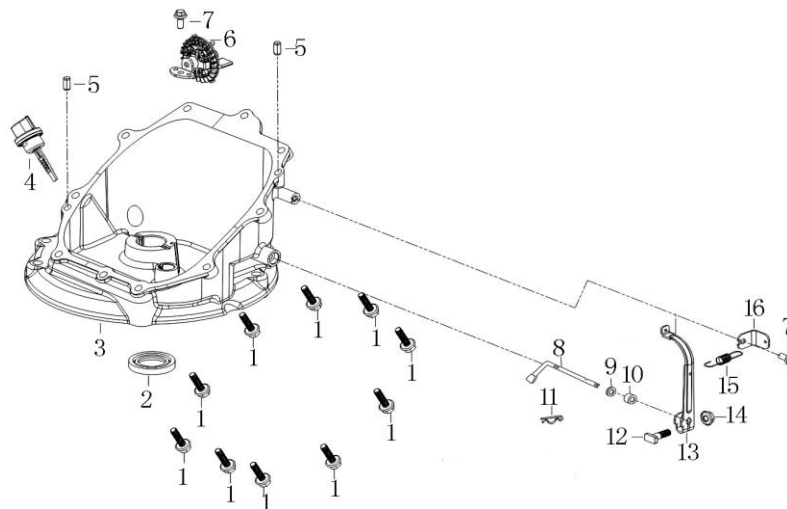
#### CRANK CASE 1

No.	ID Zboží	Název
1	380020070-0001	Hexagon bolt with flange
2	120230118-0001	Cylinder head cover
3	120250045-0001	Gasket for cylinder head cover
4	140450060-0001	Valve rocker combination
5	140710013-0001	Plate, push rod guide
6	140380020-0001	Retainer, valve spring
7	140340039-0001	Inner spring of valve
8	270960046-0001	Spark plug
9	110810224-0001	Crankcase body
10	380180124-0001	Stud
11	380650335-0001	Oil seal
12	110860005-0001	Breath fin
13	110850019-0001	PACKING. BREATHER CHAMBER
14	110840027-0001	CAP,BREATHER CHAMBER



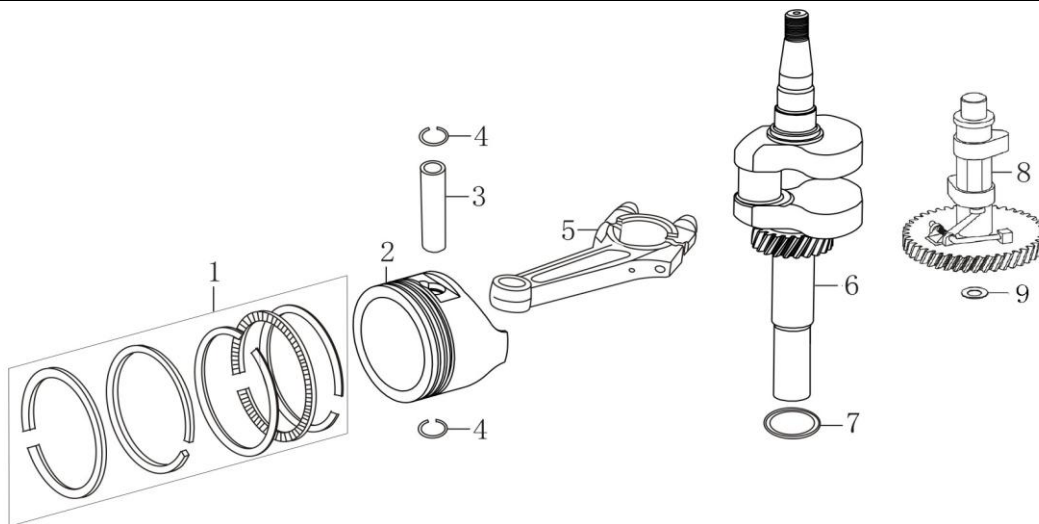
**CRANK CASE 2**

No.	ID Zboží	Název
15	380140167-0002	Hexagon bolt with flange
16	500550034-0001	Valve Kit
17	140670029-0001	Push rod
18	140690002-0001	Lifter, Valve
19	380140086-0002	Hexagon bolt with flange
20	380140209-0001	Hexagon bolt with flange
21	293030015-0001	Engine brake
22	381140532-0001	Tension spring



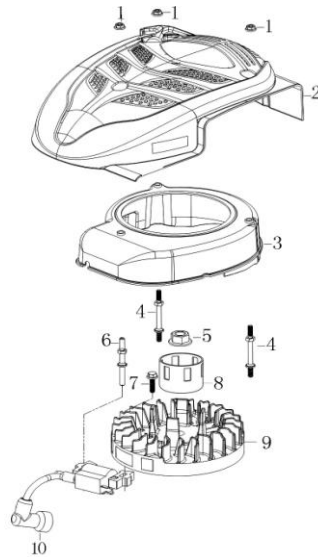
#### CRANK CASE COVER

No.	ID Zboží	Název
1	380140086-0002	Hexagon bolt with flange
2	380650347-0001	Oil seal
3	110820117-0001	Crankcase cover
4	110690067-0001	Oil rule combination
5	380600184-0001	ocation pin
6	171750024-0001	Components of governor gear
7	380140167-0002	Hexagon bolt with flange
8	171630010-0001	Speed regulating arm
9	380450527-0001	Flat washer
10	380650338-0001	Oil seal
11	381350004-0001	Pin clip
12	380250002-0001	Square head set screw with flat point
13	171620033-0003	Speed regulating bracket
14	380370048-0001	Hexagon nut with flange
15	171600064-0001	Governing spring
16	171680099-0001	Throttle handle combination



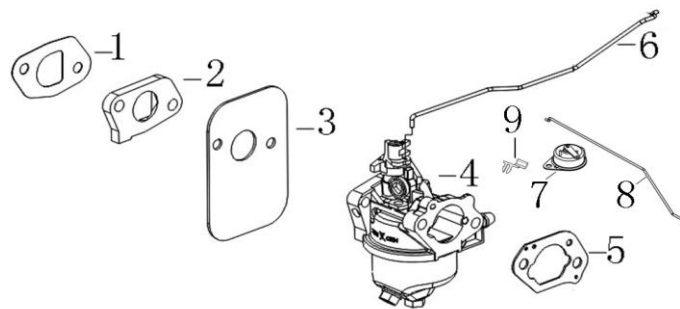
#### CRANKSHAFT/PISTON

No.	ID Zboží	Název
1	130070197-0001	Piston ring combination
2	130030220-0001	Piston
3	130060030-0001	Piston pin
4	380560055-0001	Steel cable baffle ring
5	130150099-0001	Connecting rod
6	130290441-0001	crankshaft
7	380450518-0001	Flat washer
8	140020117-0001	Camshaft assy
9	380450534-0001	Flat washer



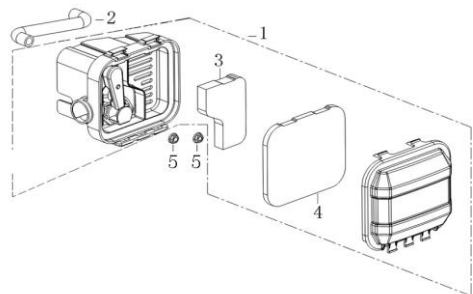
#### STARTER

No.	ID Zboží	Název
1	380370066-0001	Hexagon nut with flange
2	193490393-0003	Manual starting assembly
3	160210109-0001	Fan cover comp.
4	380850010-0001	Stay stud
5	380370051-0001	Hexagon nut with flange
6	380850016-0001	Stay stud
7	380140086-0002	Hexagon bolt with flange
8	193590033-0001	Starting disc
9	270020232-0001	FLYWHEEL COMP
10	270920312-0001	COIL ASSY.,IGNNTION



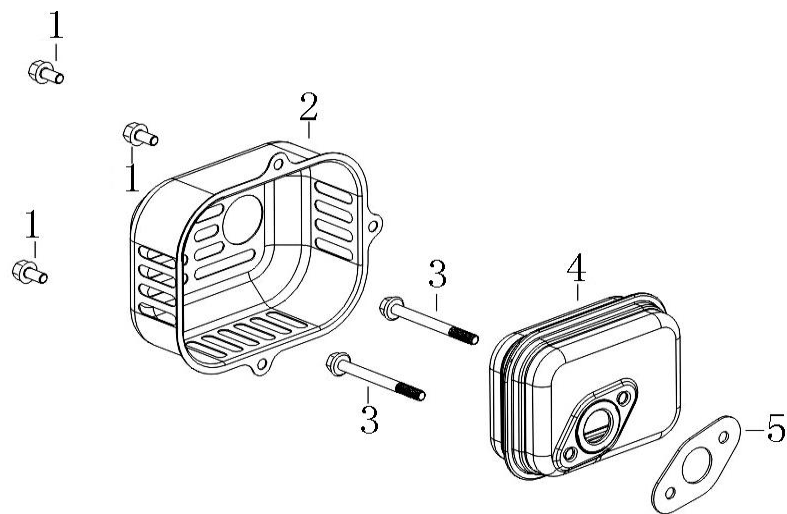
#### CARBURETOR

No.	ID Zboží	Název
1	170430148-0001	Carburetor gasket
2	170440055-0001	Heat insulating pad for carburetor
3	170450006-0001	Heat insulating plate for carburetor
4	170021840-0001	Carburetor
5	170430162-0001	Carburetor gasket
6	171590025-0001	Throttle rod
7	171470012-0001	Control components of choke valve
8	171650040-0001	Choke valve pull rod
9	173090001-0001	Locker of choke valve pull rod



**AIR CLEANER**

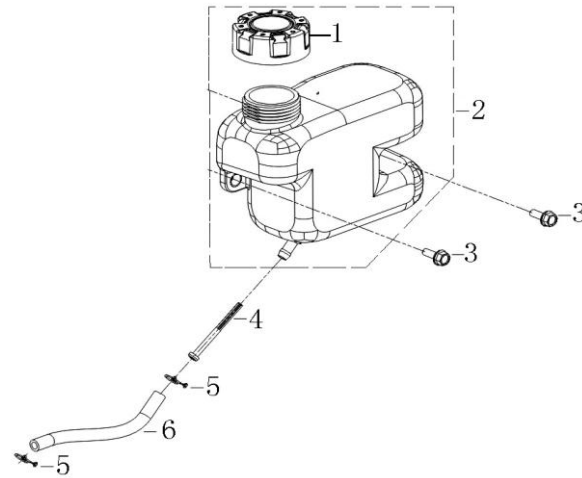
No.	ID Zboží	Název
1	180020676-0001	Air filter
2	380741094-0001	Breather tube
3	180130251-0001	Air filter element
4	180130250-0001	Air filter element
5	380370066-0001	Hexagon nut with flange



#### MUFFLER

No.	ID Zboží	Název
1	380140209-0001	Hexagon bolt with flange
2	180960128-0001	Muffler guard shield
3	380140173-0002	Hexagon bolt with flange
4	180572097-0001	Muffler
5	180660077-0001	Muffler gasket





#### FUEL TANK

No.	ID Zboží	Název
1	170870094-0001	Tank cover
2	170490156-0001	Tank
3	380020071-0001	Hexagon shaft shoulder bolt
4	170010017-0001	Fuel filter
5	380950190-0001	Pipe clip
6	380750633-0001	Oil tube