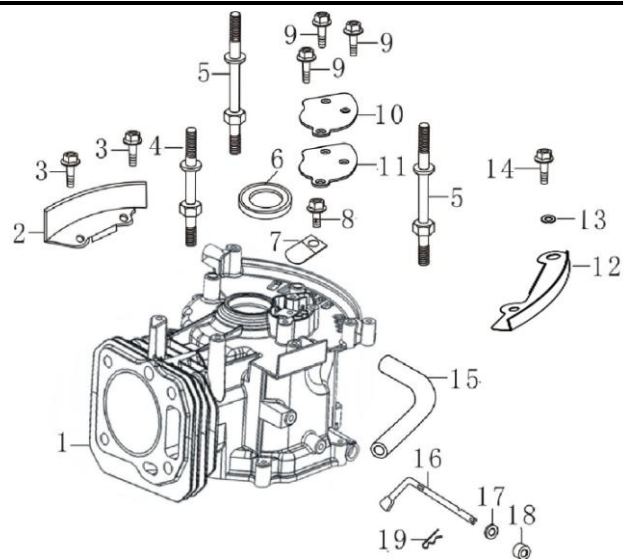


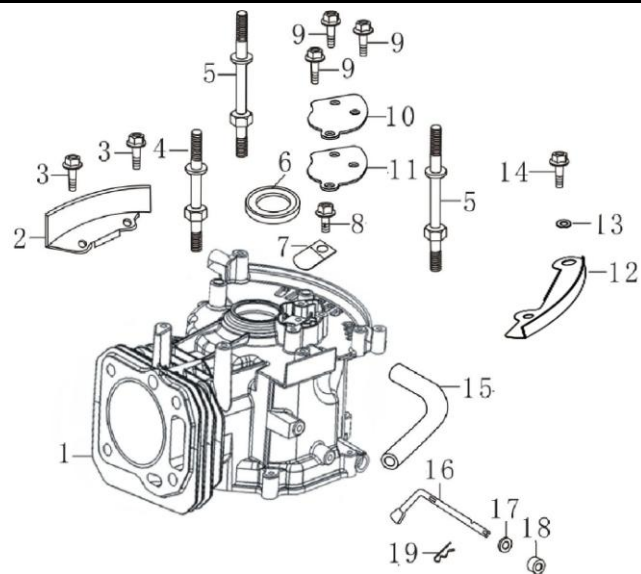
CYLINDER HEAD

No.	ID Zboží	Název
1	380020070-0001	Hexagon bolt with flange
2	120220075-0001	Cylinder head cover
3	120250032-0001	Gasket for cylinder head cover
4	270960046-0001	Spark plug
5	380140338-0001	Hexagon bolt with flange
6	120080279-0001	Cylinder head
7	380180101-0001	Stud
8	380180093-0001	Stud
9	120150087-0001	Gasket for cylinder head
10	380600117-0001	ocation pin



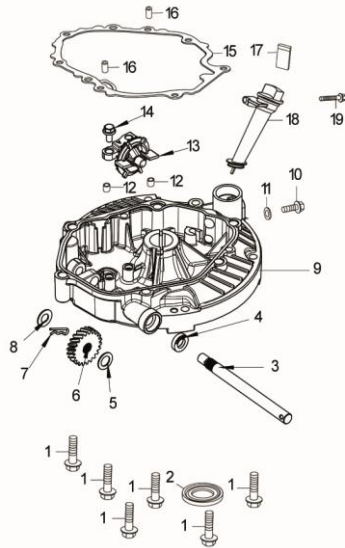
CRANK CASE

No.	ID Zboží	Název
1	110810122-0001	Crankcase body
2	160200048-0001	Side plate
3	380140013-0005	Hexagon bolt with flange
4	380850011-0001	Stay stud
5	380850012-0001	Stay stud
6	380650335-0001	Oil seal
7	140250006-0001	Leaf valve
8	380140037-0003	Hexagon bolt with flange
9	380140441-0001	Hexagon bolt with flange
10	110840011-0001	CAP,BREATHER CHAMBER
11	110850011-0001	PACKING, BREATHER CHAMBER



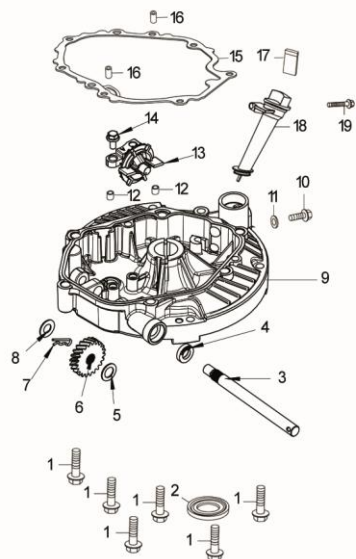
CRANK CASE

No.	ID Zboží	Název
12	160200037-0001	Side plate
13	380821590-0001	Bushing
14	380140086-0002	Hexagon bolt with flange
15	380741254-0001	Breather tube
16	171630010-0001	Speed regulating arm
17	380450527-0001	Flat washer
18	380650338-0001	Oil seal
19	381350004-0001	Pin clip



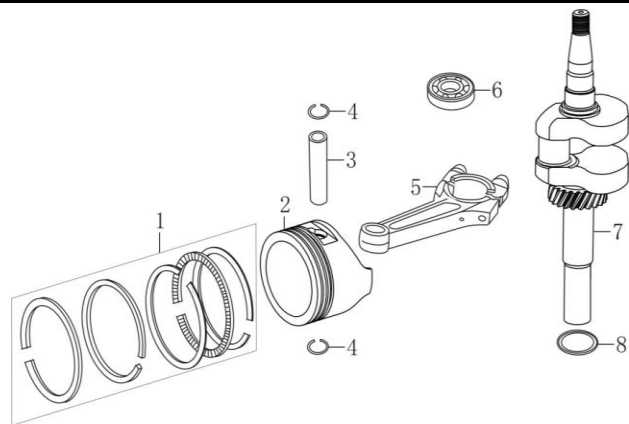
CRANK CASE COVER

No.	ID Zboží	Název
1	380140148-0005	Hexagon bolt with flange
2	380650347-0001	Oil seal
3	193050027-0001	Output shaft
4	380650666-0001	Oil seal
5	380451036-0001	Flat washer
6	196150005-0001	worm gear
7	381350020-0001	Pin clip
8	380451035-0001	Flat washer
9	110820161-0001	Crankcase cover
10	110260025-0001	Sealing plug screw
11	380450514-0001	Flat washer
12	380600121-0001	ocation pin
13	174280003-0001	Components of governor gear
14	380140077-0005	Hexagon bolt with flange



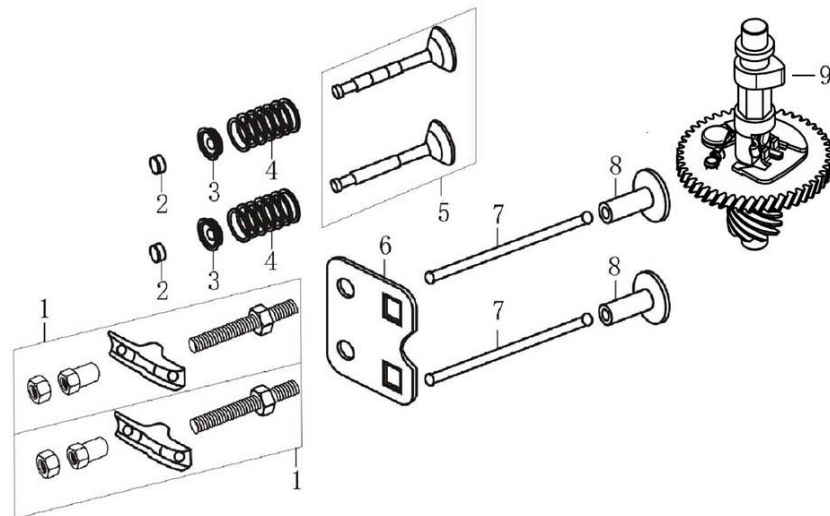
CRANK CASE COVER

No.	ID Zboží	Název
15	110830057-0001	Crankcase cover gasket
16	380600120-0001	ocation pin
17	150570002-0001	Engine oil return block
18	110690016-0002	Oil rule combination
19	380140100-0003	Hexagon bolt with flange



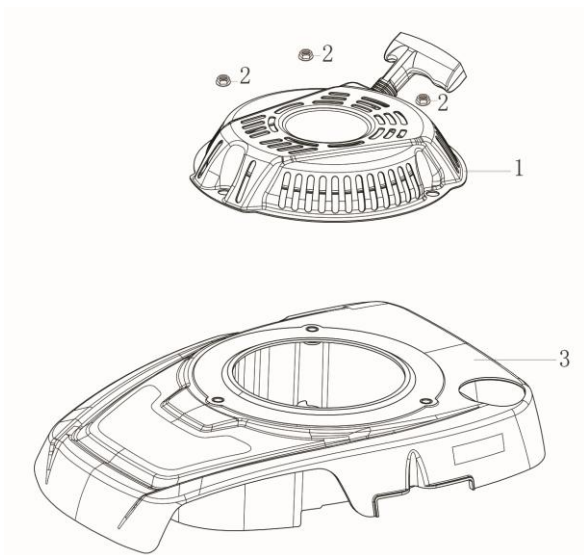
CRANKSHAFT/PISTON

No.	ID Zboží	Název
1	130070142-0001	Piston ring combination
2	130030266-0001	Piston
3	130060030-0001	Piston pin
4	380560055-0001	Steel cable baffle ring
5	130150122-0001	Connecting rod
6	380630137-0002	Bearing
7	130290531-0001	crankshaft
8	380450518-0001	Flat washer



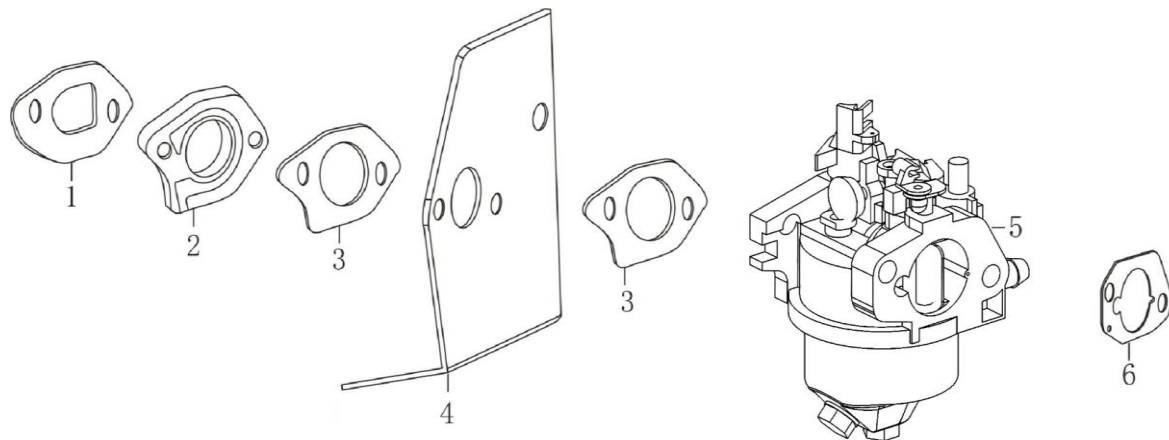
CAMSHAFT

No.	ID Zboží	Název
1	140450022-0001	Valve rocker combination
2	140320001-0001	Valve adjustment cap
3	140380017-0001	Retainer, valve spring
4	140340022-0001	Inner spring of valve
5	500550029-0001	Valve Kit
6	140710004-0001	Plate, push rod guide
7	140670004-0001	Push rod
8	140690002-0001	Lifter, Valve
9	140020148-0001	Camshaft assy



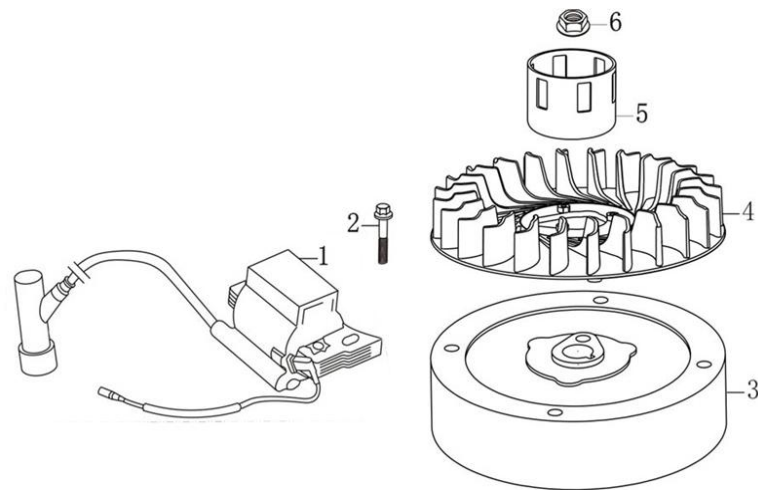
STARTER

No.	ID Zboží	Název
1	193500143-0001	Manual starting components
2	380370066-0001	Hexagon nut with flange
3	160210140-0001	Fan cover comp.



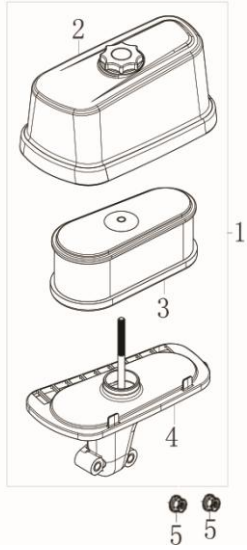
CARBURETOR

No.	ID Zboží	Název
1	170430157-0001	Carburetor gasket
2	170440056-0001	Heat insulating pad for carburetor
3	170430147-0001	Carburetor gasket
4	170450001-0001	Heat insulating plate for carburetor
5	170021899-0001	Carburetor
6	170430177-0001	Carburetor gasket



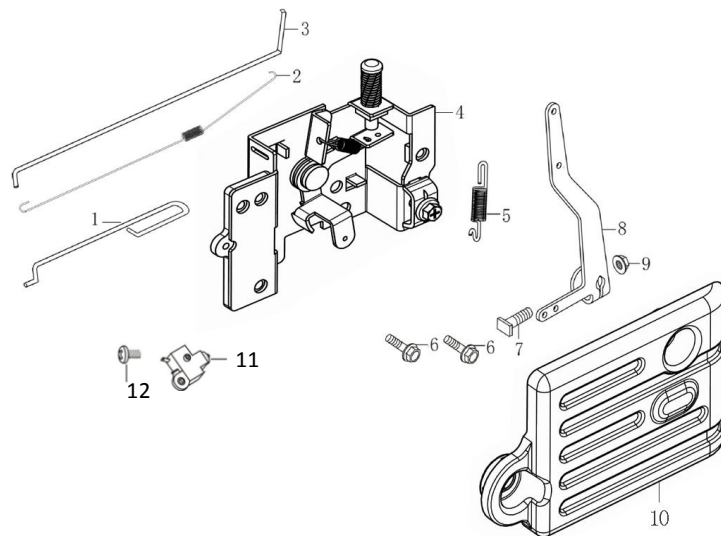
FLYWHEEL/ignition Comp

No.	ID Zboží	Název
1	270920215-0001	COIL ASSY.,IGNNTION
2	380140086-0002	Hexagon bolt with flange
3	270020126-0001	FLYWHEEL COMP
4	160180015-0001	Impeller
5	193590005-0001	Starting disc
6	380370051-0001	Hexagon nut with flange



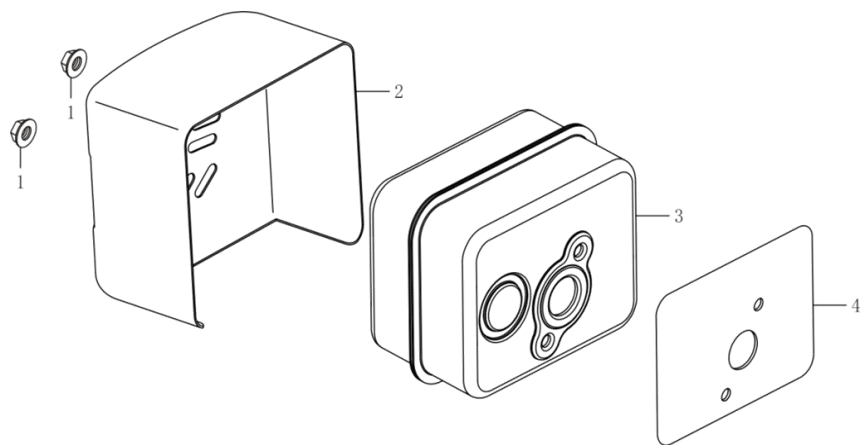
AIR CLEANER

No.	ID Zboží	Název
1	180020881-0001	Air filter seat
2	180070251-0001	Air filter casing cover
3	180130289-0001	Air filter element
	180130290-0001	Air filter element
4	180280114-0001	Air filter seat
5	380370066-0001	Hexagon nut with flange



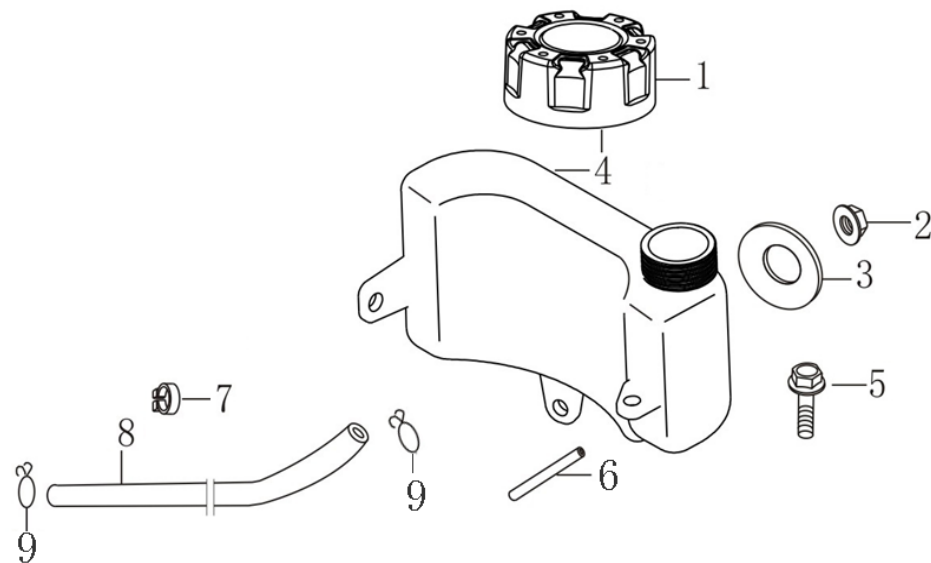
CONTROL SYSTEM

No.	ID Zboží	Název
1	171650002-0001	Choke valve pull rod
2	171610015-0001	throttle return spring
3	171590007-0001	Throttle rod
4	171680146-0001	Throttle handle combination
5	171600018-0001	Governing spring
6	380140067-0003	Hexagon bolt with flange
7	380250002-0001	Square head set screw with flat point
8	171620016-0003	Speed regulating bracket
9	380370048-0001	Hexagon nut with flange
10	171740003-0001	Guard plate for throttle combination
11	271660026-0001	Stop switch
12	380200008-0005	Cross recessed pan head screw



MUFFLER

No.	ID Zboží	Název
1	380370048-0001	Hexagon nut with flange
2	180960026-0001	Muffler guard shield
3	180571313-0001	Muffler
4	180660065-0001	Muffler gasket



FUEL TANK

No.	ID Zboží	Název
1	170870094-0001	Tank cover
2	380370048-0001	Hexagon nut with flange
3	380450444-0002	Flat washer
4	170490152-0001	Tank
5	380140013-0005	Hexagon bolt with flange
6	170010017-0001	Fuel filter
7	380930025-0001	Location wire nail
8	380750234-0001	Oil tube
9	380950190-0001	Pipe clip