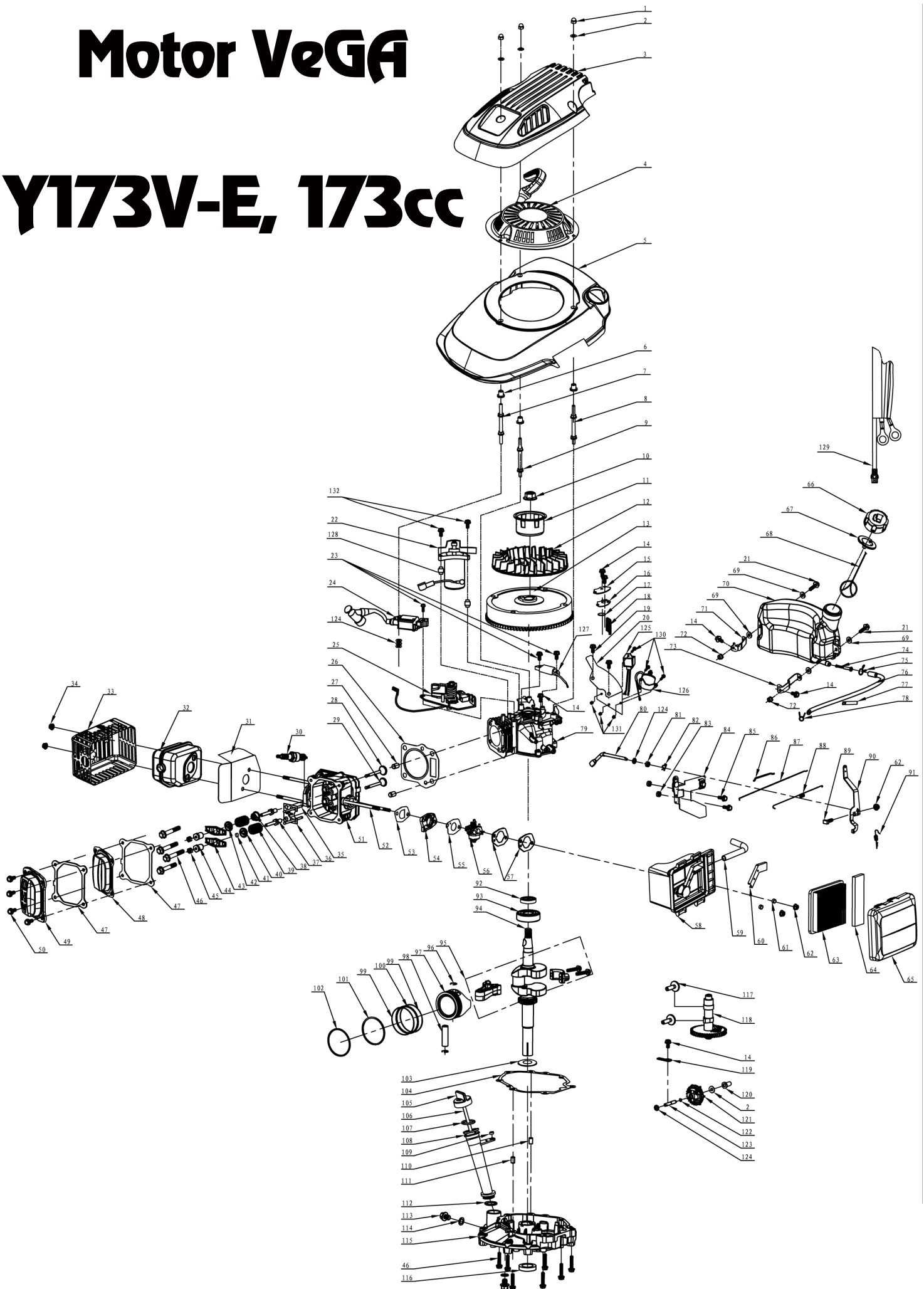


Motor VeGA

Y173V-E, 173cc



Y173V-E Motor VeGA

Položka	Číslo ND	Popis	Počet
1	B2002B00000	Nut M6	3
2	B5027B00000	"O" Ring $\varphi 6.5 * \varphi 15 * 0.5$	4
3	Y3A11000013	Engine Cover	1
4	Y2A20000000	Recoil Start Assy	1
5	Y3A31000010	Blower Housing	1
6	Y2A40000000	Bush	3
7	Y3AB0000000	Bolt I	1
8	Y3A80000000	Bolt II	1
9	Y3A90000000	Bolt III	1
10	B2015W00000	Nut M14*1.5	1
11	Y3A50000000	Start-up Hub	1
12	Y3A60000000	Fan	1
13	Y3B11000000	Flywheel	1
14	B1058W06012	Bolt M6*12	6
15	Y3250000000	Respirator Cover Plate	1
16	Y3240000100	Paper Seal	1
17	Y3230000000	Valve Element of Respirator Cover	1
18	Y2220000000	Lubricate Filtering Net	1
19	B1057W06010	Bolt M6*10	2
20	Y3AA1000000	fixed plate	1
21	B1063W06022	Bolt M6*22	2
22	Y3B40000000	starting motor	1
23	B1064W06025	Bolt M6*25	3
24	Y2B20000000	Ignition	1
25	Y3711000000	Brake Assy	1
26	Y3120000000	Gasket of Cylinder Head	1
27	Y2260000000	Locating Pin	2
28	Y3520000000	Inlet valve	1
29	Y3530000000	Outlet valve	1
30	Y2B30000000	Spark Plug	1
31	Y2930000000	Gasket of Muffler	1
32	Y3910000000	Muffler Assy	1
33	Y3920000000	Muffler Cover Assy	1
34	B2016W00000	Locknut M6	2
35	Y35C0000000	Handspike Assy	2
36	Y35E0000000	Guide Board of Handspike	1
37	Y2580000000	Rocker Support Bolt of Valve	2
38	BC011H00000	Oil Seal of valve	1
39	Y3540000000	Spring of Valve	2
40	Y2560000000	Spring Coil of outlet Valve	1
41	Y25D0000000	upper cap of outlet Valve	1
42	Y2550000000	Spring Coil of Inlet Valve	1
43	Y2570000000	Rocker of Valve	2
44	Y2590000000	Adjust Nut of Valve	2
45	Y25A0000000	Combined Nut	2

46	B1080W08050	Locknut M8*50	10
47	Y2130000000	Gasket of Cylinder Head Cover	2
48	Y3140000000	Cylinder Head Inner Cover	1
49	Y3150000000	Cylinder Head Outer Cover	1
50	B1059W06014	Bolt M6*14	4
51	Y3110000000	Cylinder Head Assy	1
52	B4002W06092	Two Stud Bolt M6*92	4
53	Y3810000000	Paper Gasket of Inlet Pipe	1
54	Y3820000000	Air Inlet Pipe	1
55	Y3830000000	Paper Gasket of Carburetor	1
56	Y3850000100	Carburetor Assy	1
57	Y2840000000	Paper Gasket of Air Filter	2
58	Y2870000100	Air Filter Pedestal	1
59	Y38A0000000	Exhaust Pipe $\phi 8 \times \phi 12 \times 165$	1
60	Y28B0000000	Exhaust Gas Cover Board	1
61	Y2890000000	Air Filter Bush	2
62	B2012W00000	Nut M6	3
63	Y3880000000	Paper Filter Element	1
64	Y28C0000000	Filter Element	1
65	Y2860000000	Air Filter Upper Cover	1
66	Y28H0000000	Fuel Tank Cap	1
67	Y28F0000000	Seal Gasket of Fuel Tank Cap	1
68	Y28T0000000	Connecting Rope	1
69	Y28S0000000	Gasket	4
70	Y28D0000000	Fuel Tank	1
71	Y38N0000000	Right Bracket of Fuel Tank	1
72	B2008W00000	Locknut M6	2
73	Y38M0000000	Left Bracket of Fuel Tank	1
74	Y28E0000000	Filtering Net Duct of Fuel	1
75	Y28K0000000	Oil Pipe Circlip I	1
76	Y28J0000000	Oil Pipe	1
77	Y28U0000000	Oil Pipe Fixing Clip	2
78	Y28L0000000	Oil Pipe Circlip II	1
79	Y3210000000	Crankcase Assy	1
80	Y3660000000	Speed Regulator Rocker Spindle	1
81	BC006B00000	Oil Seal 6*11*4	1
82	Y2670000000	Springness Split Pin	1
83	B2023W00000	Nut	2
84	Y2690000400	Speed Regulator choke assy	1
85	B1058W06012	Bolt M6*12	2
86	Y36D0000100	Handspike of choke	1
87	Y36B0000000	Handspike of Valve	1
88	Y36C0000000	Spring of Valve	1
89	B1085W06023	"T" type Bolt M6*23	1
90	Y3680000000	Speed Regulator Rocker	1
91	Y36A0000300	Speed Regulator Spring	1
92	BC004B00000	Oil Seal 22*38*7	1
93	B0008W00000	Ball bearing	1
94	Y3410000000	Crankshaft Assy	1

95	Y3470000000	Connecting Rod Assy	1
96	Y3490000000	Circlip of Piston Pin	2
97	Y3420000000	Piston	1
98	Y3480000000	Piston Pin	1
99	Y3450000000	Scraper Ring	2
100	Y3460000000	Bushing Ring	1
101	Y3440000000	Piston Ring II	1
102	Y3430000000	Piston Ring I	1
103	Y34A0000000	Gasket of Gear	1
104	Y3350000000	Gasket of Crankcase	1
105	Y2331100000	Lubricating Gauge Cap	1
106	Y3331200000	Lubricating Gauge	1
107	BD006B00000	"O" Ring $\phi 20 * \phi 3$	1
108	Y3320000000	Lubricating Pipe Assy	1
109	Y2321200000	Lubricating Pipe bush	1
110	Y2360000000	Locating Pin of Crankcase	1
111	Y3360000000	Locating Pin of Crankcase	1
112	BD004H00000	"O" Ring $\phi 21 * \phi 2.3$	1
113	B1016W10012	Draining Oil Bolt M10*1.25*12	2
114	B5021W00000	Draining Oil Bolt Gasket $\phi 10.5 * \phi 15 * 2$	2
115	Y3310000000	Crankcase Cover	1
116	BC008H00000	Oil seal	1
117	Y35B0000000	Tappet	2
118	Y3510000000	Camshaft Assy	1
119	Y2650000000	Gear Shaft Hold-down Plate	1
120	Y2640000000	Sliding Sleeve	1
121	Y2610000000	Gear Shaft Assy	1
122	Y2630000000	Circlip of Gear shaft	1
123	Y3620000000	Gear Shaft	1
124	B5026W00000	Gasket $\phi 6.5 * \phi 12 * \phi 1$	5
125	Y3B50000000	voltage regulator	1
126	Y3B60000000	relay	1
127	Y3B70000000	charge coil	1
128	Y3B80000000	Pin	2
129	Y3B90000000	Wire	1
130	B1053W05012	Bolt M5*12	3
131	B2007W00000	Nut M5	3
132	B1067W06035	Bolt M6*35	2