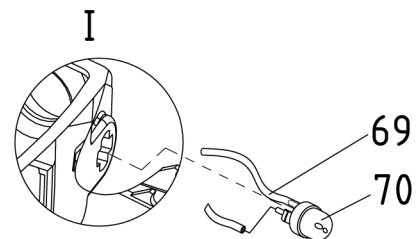
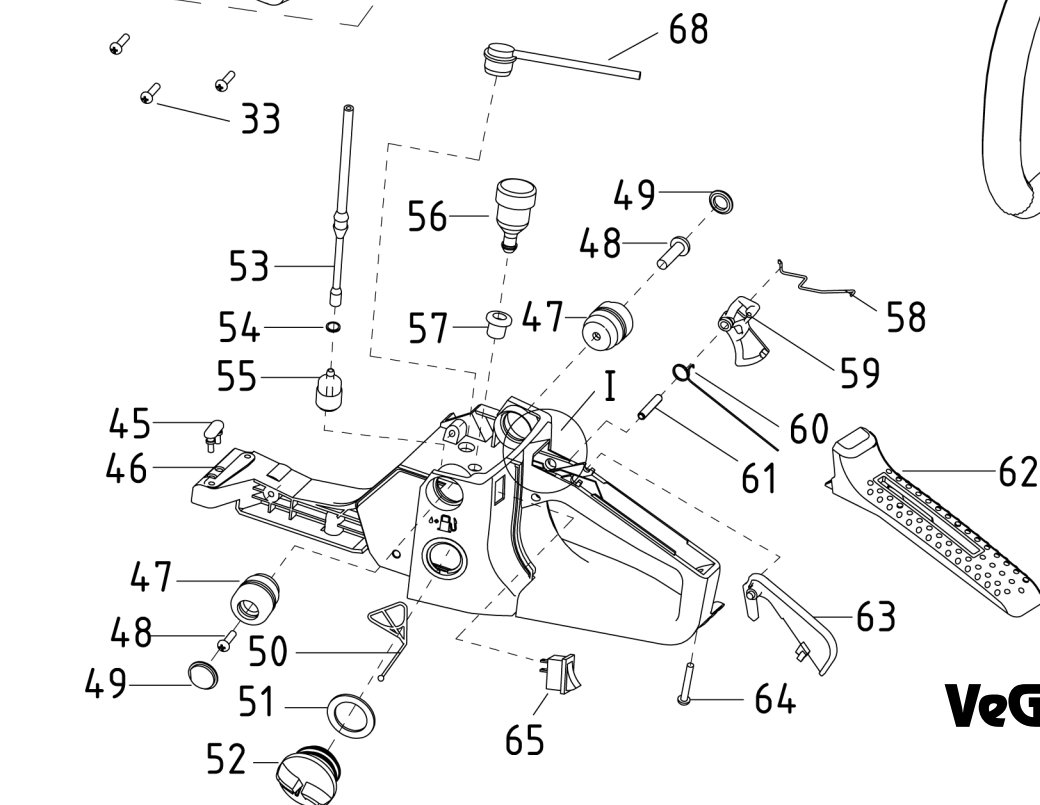
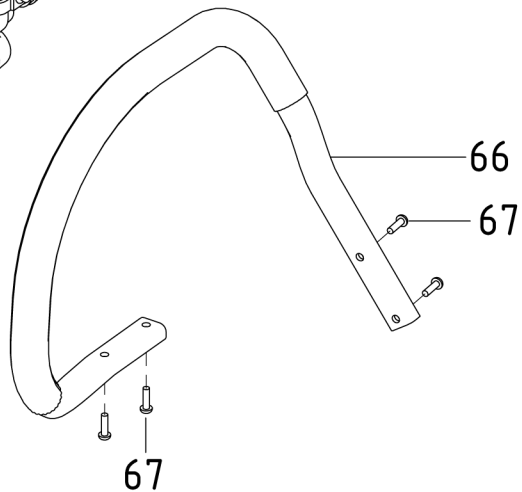
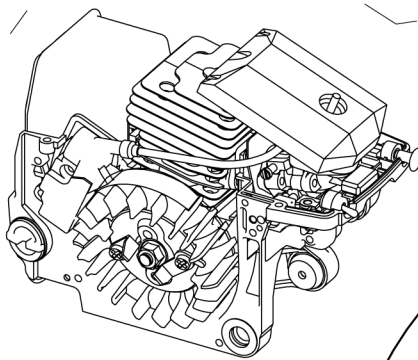
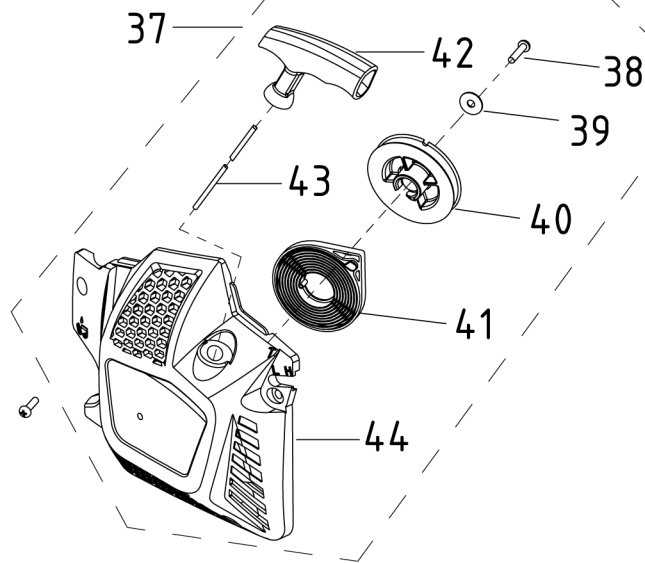


VeGA[®]
3 GARDEN MACHINES

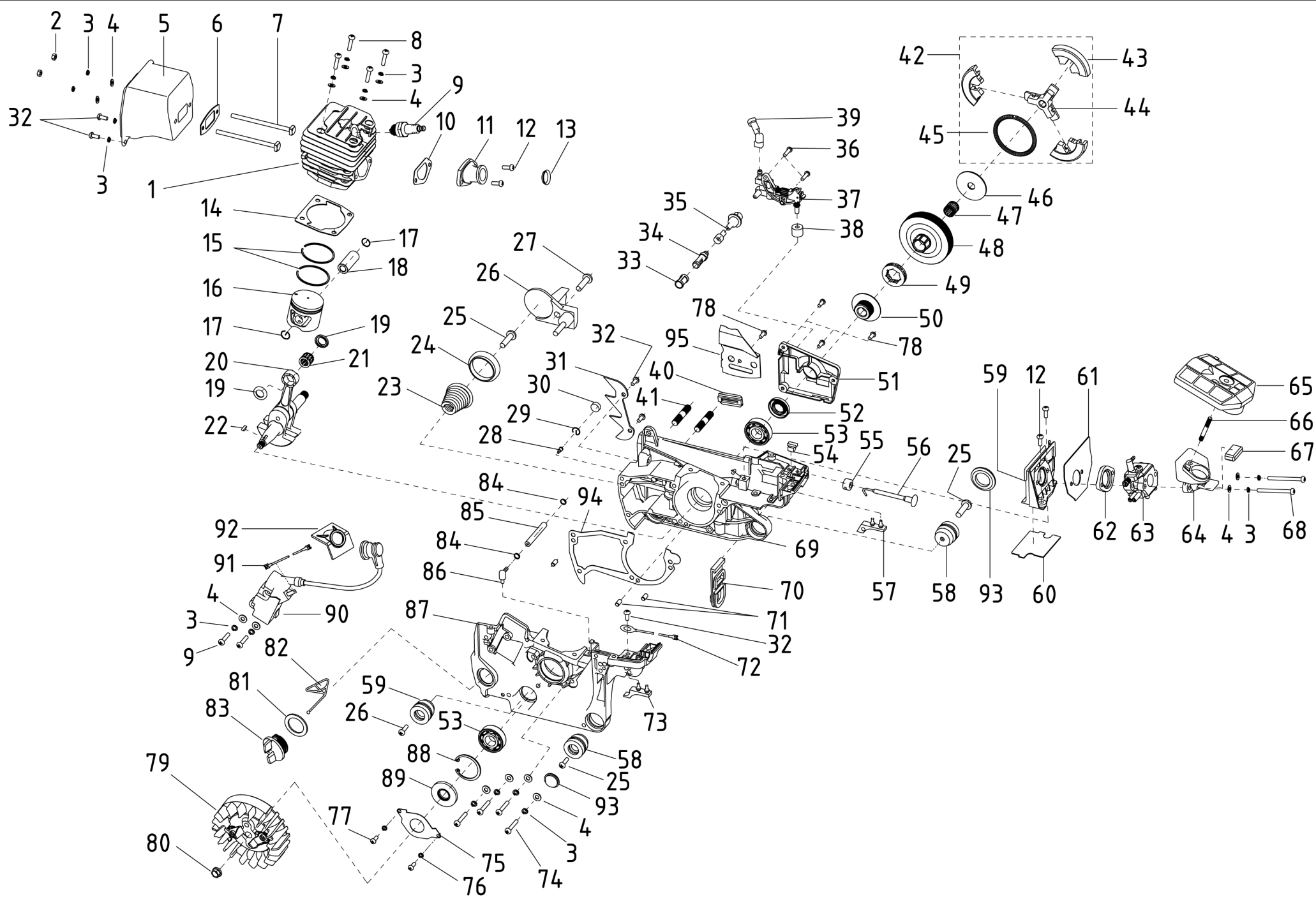


v-garden

**VeGA TCS 5600 PRO
2019**

| No. | ID Zboží | Název |
|------|------------------|----------------------------|
| 1. | TCS4600.04.00-00 | right cover assembly |
| 2. | YD38-3.04.00-16 | screw M5×40 |
| 3. | YD38-3.04.00-13 | shield pipe |
| 4. | YD38-3.04.00-12 | pipe |
| 5. | GB/T119.2 | pin 3×14 |
| 6. | YD45.04.00-24 | tightener screw |
| 7. | YD45.04.00-25 | tension block |
| 8. | YD45.04.00-11 | tensioner cover plate |
| 9. | GB/T845 | tapping screw ST4.2×9.5 |
| 10. | TCS4600.04.00-2 | front damper |
| 11. | YD38-3.04.00-9 | brake torsion rod spring |
| 12. | YD45-3.04.00-13 | washer 5.2×20×1.2 |
| 13. | GB/T6183.1 | nut M5 |
| 14. | YD38-3.04.00-6 | spring base |
| 15. | YD38-3.04.00-5 | front damper spring |
| 16. | YD38-3.04.00-4 | main lever |
| 17. | YD38-3.04.00-3 | secondary pull-rod |
| 18. | GB/T119.2 | pin 3×9 |
| 19. | YD45.04.00-14 | brake control rod |
| 20. | YD45.04.00-9 | brake spring |
| 21. | YD45-4.04.00-12 | brake strap |
| 22. | YD45.04.00-10 | secondary brake spring |
| 23. | YD45-4.04.00-1 | brake spring cover plate |
| 24. | YD45.04.00-26 | tension gear |
| 25. | YD45.01.00-16 | chain guide block |
| 26. | TCS4600.04.01-00 | right cover |
| 27. | TCS4600.04.00-7 | dust shield |
| 28. | YD38-3.04.00-7 | heavy block spring |
| 29. | YD38-3.04.02-00 | heavy block |
| 30. | GB/T6177.1 | nut M8 |
| 31. | TCS4600.05.01-00 | air filter lock nut |
| 32. | TCS4600.00.00-1 | air filter cover |
| 33. | GB/T2672 | screw M5×16 |
| 34. | TCS4600.05.00-00 | upper cover plate assembly |
| 34a. | TCS4600.05.00-1 | upper cover plate |
| 34b. | TCS4600.05.00-2 | upper heat isolation plate |
| 34c. | TCS4600.05.00-3 | side heat isolation plate |
| 35. | TCS4600.00.00-6 | idle adjusting guide set |
| 36. | TCS4600.02.00-1 | guide flow cover |
| 37. | TCS4600.02.00-00 | starter assembly |
| 38. | GB/T845 | tapping screw ST4.8×14 |
| 39. | GB/T96 | washer 5 |
| 40. | YD45.02.00-2 | starter palte |
| 41. | YD45.02.00-5 | start coil spring |
| 42. | YD38-5.02.00-4 | start handle |
| 43. | YD45.02.00-7 | start stretching wire |
| 44. | TCS4600.02.01-00 | starter cover |
| 45. | YD45.03.00-1 | shock rubber |
| 46. | YD46.03.01-00 | base |
| 47. | YD45.03.02-00 | shock rubber gland |
| 48. | YD50.00.00-9 | screw |
| 49. | YD45.00.00-2 | dust cover |
| 50. | YD38-3.03.02-2 | anti-drop plate |
| 51. | JB/T7757.2 | O sealing 24.7×3.55 |
| 52. | TCS4600.03.02-1 | petrol cover |
| 53. | YD45.03.00-2 | fuel tube |
| 54. | YD45.03.00-15 | fuel tube circlip |

| No. | ID Zboží | Název |
|-----|--------------------|----------------------------|
| 55. | YD45.03.03-00 | petrol filter componets |
| 56. | | balancer |
| 57. | YD38-3.03.00-3 | balancer root |
| 58. | YD45.03.00-25 | throttle rod |
| 59. | YD45.03.00-11 | trigger |
| 60. | YD45.03.00-12 | trigger torsion rod spring |
| 61. | GB/T119.2 | pin6×22 |
| 62. | TCS4600.03.04-00 | handle cover |
| 63. | YD45.03.00-13 | trigger control rack |
| 64. | GB/T845 | tapping screw ST4.2×22 |
| 65. | YD38-3.01.11.04-00 | extinction switch |
| 66. | YD45-2.06.00-00 | front handle assembly |
| 67. | GB/T845 | tapping screw ST4.8×16 |
| 68. | YD45-4.03.00-11 | scavenge nozzle |
| 69. | YD45-4.03.00-13 | pump tube |
| 70. | YD38-3.00.00 | Primer bulb |



| No. | ID Zboží | Název |
|-----|------------------|-------------------------------|
| 1. | YD56.01.02-1 | cylinder |
| 2. | GB/T6170 | nut M5 |
| 3. | GB/T93 | washer 5 |
| 4. | GB/T97.1 | washer 5 |
| 5. | YD45.01.09.01-00 | muffler body |
| 6. | YD45.01.00-2 | muffler sealing plate |
| 7. | YD45.01.00-24 | muffler connecting screw |
| 8. | GB/T6191 | screw M5×20 |
| 9. | YD45.01.11.04-00 | spark plug |
| 10. | YD45.01.02-2 | air intake tube sealing plate |
| 11. | YD45.01.02.01-00 | air intake tube |
| 12. | GB/T2672 | screw M5×12 |
| 13. | YD45.01.00-17 | hold coil |
| 14. | YD45.01.00-1 | cylinder sealing plate |
| 15. | YD56.01.03-2 | piston ring |
| 16. | YD56.01.03-1 | piston |
| 17. | YD45.01.03-4 | piston pin circlip |
| 18. | YD56.01.03-3 | piston pin |
| 19. | YD56.01.03-5 | needle bearing ring |
| 20. | YD45.01.03.01-00 | crank shaft components |
| 21. | YD45.01.03.02-00 | needle bearing 11×15×12.5 |
| 22. | GB/T1099 | semicircular key 3×3.5×10 |
| 23. | YD45.00.00-4 | conical spring base |
| 24. | YD45.00.00-3 | conical spreader base |
| 25. | GB/T845 | tapping screw ST4.8×16 |
| 26. | YD45.00.00.01-00 | chain shield |
| 27. | GB/T2672 | screw M5×16 |
| 28. | YD45.01.01.02-2 | aeration jet |
| 29. | YD45.01.01.02-3 | aeration jet circlip |
| 30. | YD45.01.00-22 | sponge transition block |
| 31. | YD45.01.00-21 | pinion rack |
| 32. | GB/T2672 | screw M5×10 |
| 33. | YD45.01.00.04-2 | oil filter screen |
| 34. | YD45.01.00.04-1 | oil filter |
| 35. | YD45.01.00-12 | oil tube |
| 36. | GB/T2672 | screw M4×14 |
| 37. | YD45.01.15-00 | oil pump |
| 38. | YD45.01.00-23 | sponge transition coil |
| 39. | YD45.01.00-13 | nozzle |
| 40. | YD45.01.00-16 | chain guide block |
| 41. | GB/T900 | double-screw bolt |
| 42. | YD45.01.13.01-00 | clutch |
| 43. | YD45.01.13.01-2 | shoe block |
| 44. | YD45.01.13.01-1 | retainer |
| 45. | YD45.01.13.01-3 | clutch spring |
| 46. | YD45.01.00-19 | clutch adjusting washer |
| 47. | YD45.01.00.10-00 | needle bearing 12×15×14.5 |
| 48. | YD45.01.13-1 | clutch shell |
| 49. | YD45.01.00-26 | sprocket |
| 50. | YD45.01.00.06-00 | worm |
| 51. | YD45.01.00-15 | cover plate |
| 52. | YD45.01.00.09-00 | oil seal 15×28×4.5 |
| 53. | GB/T276 | bearing grade 15×35×11 |
| 54. | YD45.01.00-8 | cushion block |
| 55. | YD45.01.00-7 | choke rod fixation root |
| 56. | YD45.01.00.03-00 | choke rod |
| 57. | YD45.01.00-11 | right shock block |

| No. | ID Zboží | Název |
|-----|--------------------|------------------------------|
| 58. | YD45.01.00.07-00 | shock seat |
| 59. | YD45.01.00.01-00 | air intake tube support |
| 60. | YD45.01.00-4 | tie plate |
| 61. | YD45.01.00-3 | sealing plate of air |
| 62. | YD45.01.00-14 | air intake tube flange |
| 63. | YD45.01.06-00 | carburetor |
| 64. | YD45.01.00.02-00 | air intake socket |
| 65. | TCS4600.01.08-00 | air filter |
| 66. | GB/T899 | double-screw bolt |
| 67. | YD45.01.00-5 | cushion of air intake socket |
| 68. | GB/T2672 | screw M5×50 |
| 69. | YD45.01.01.02-1 | right case |
| 70. | YD45.01.00-6 | dust plate |
| 71. | GB/T119.2 | pin 5×10 |
| 72. | YD38-3.01.11.03-00 | earth wire |
| 73. | YD45.01.00-10 | left shock block |
| 74. | GB/T6191 | screw M5×25 |
| 75. | YD45.01.00-20 | oil shield |
| 76. | GB/T93 | washer 4 |
| 77. | GB/T2672 | screw M4×8 |
| 78. | GB/T2672 | screw M4×10 |
| 79. | YD45.01.10.01-00a | flywheel assembly |
| 80. | GB/T6177.2 | nut M8×1 |
| 81. | JB/T7757.2 | O sealing 20×3.1 |
| 82. | YD45.01.00.05-2 | anti-drop plate |
| 83. | TCS4600.03.03-1 | oil cover |
| 84. | YD45.01.01.01-3 | suction tube circlip |
| 85. | YD45.01.01.01-2 | suction tube 2.5×6×105 |
| 86. | YD45.01.01.03-00 | suction jet |
| 87. | YD45.01.01.01-1 | left case |
| 88. | GB/T893.1 | shield ring 35 |
| 89. | YD45.01.00.08-00 | oil seal 15×35×4.5 |
| 90. | YD45.01.11.01-00 | igniter |
| 91. | YD45-7.01.11.02-00 | extinction conductor |
| 92. | TCS4600.01.11-3 | igniter cap |
| 93. | YD45.00.00-9 | dust cover |
| 94. | YD45.01.01-1 | case body sealing plate |
| 95. | YD45.01.00-18 | damper |