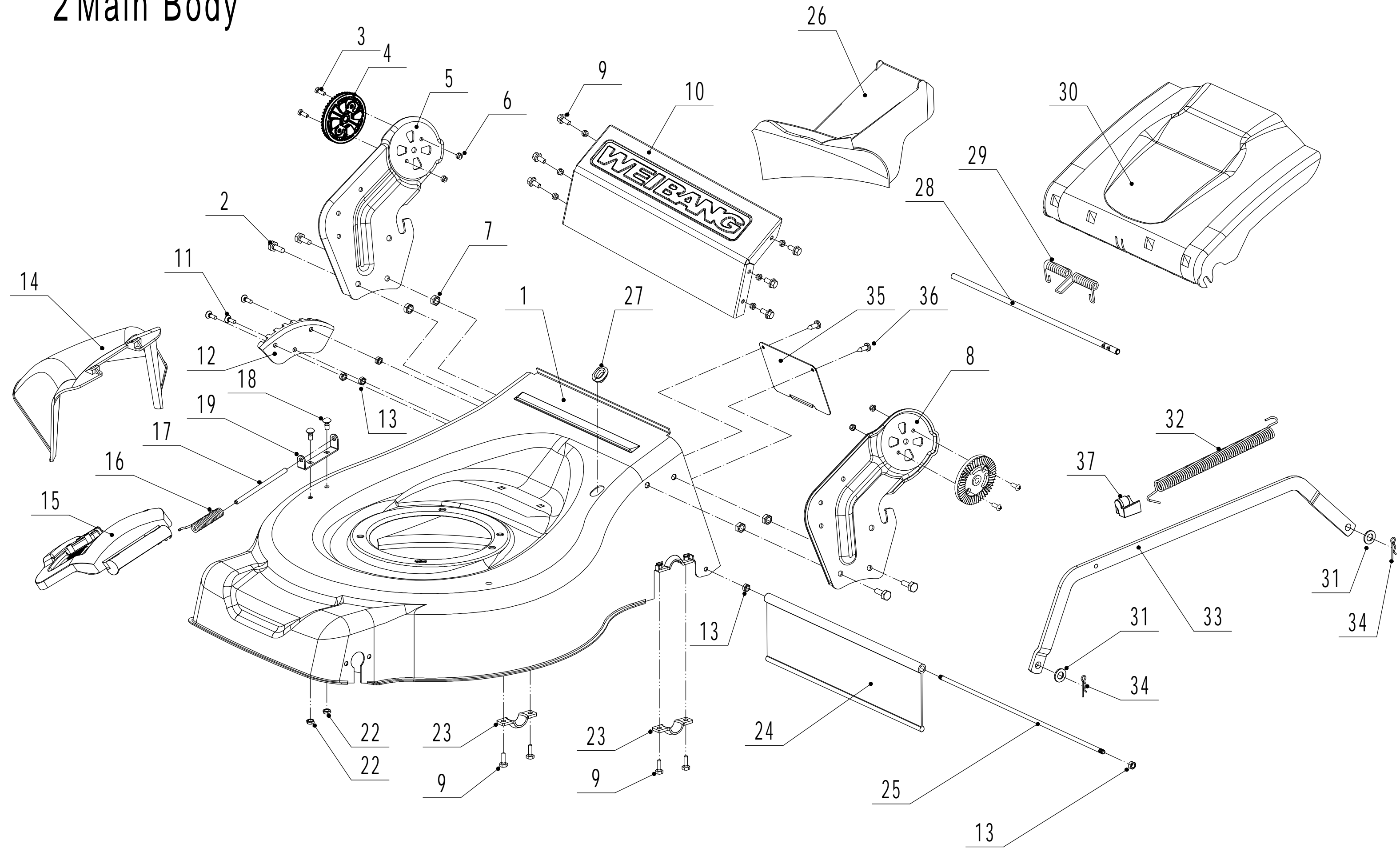
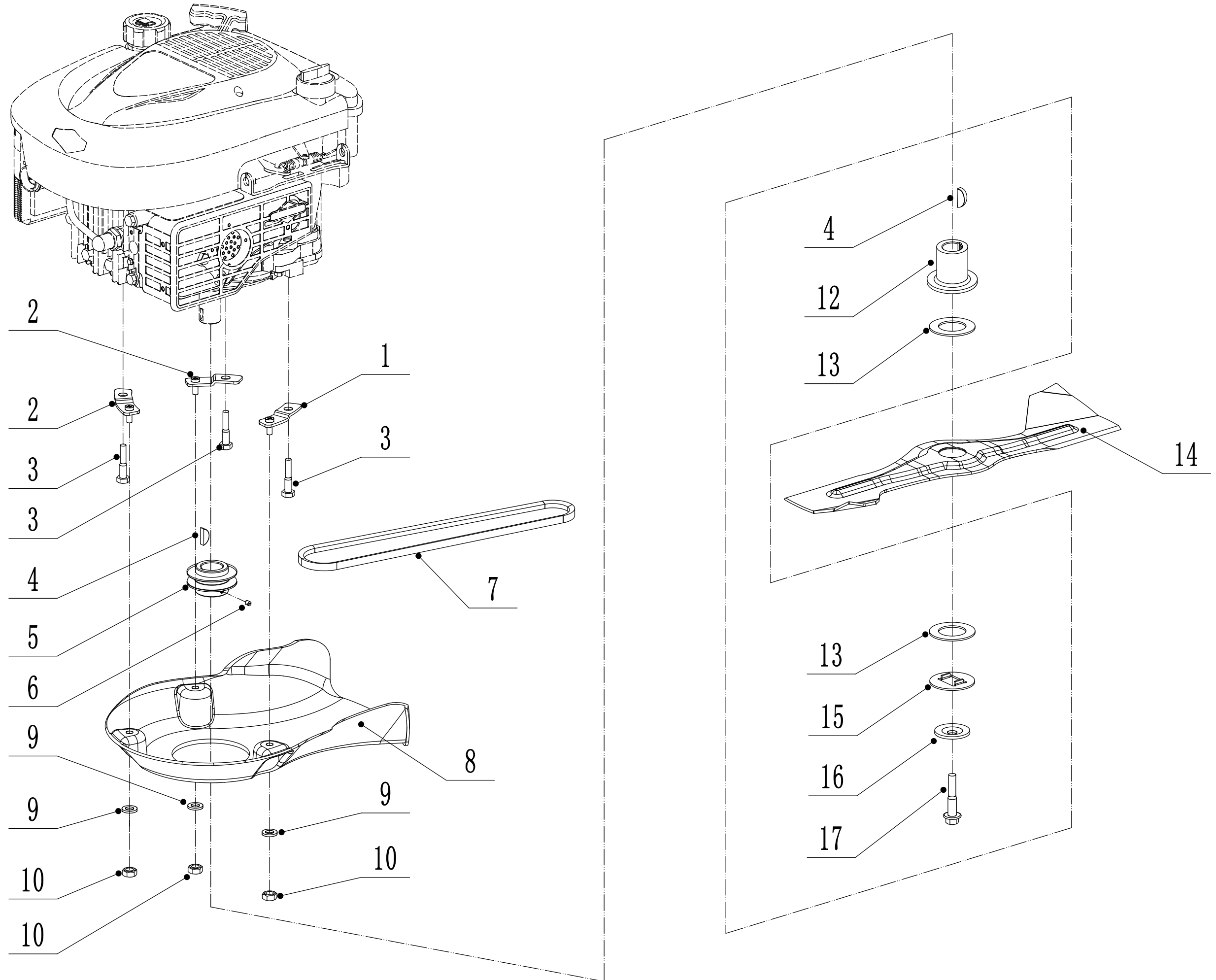


2 Main Body



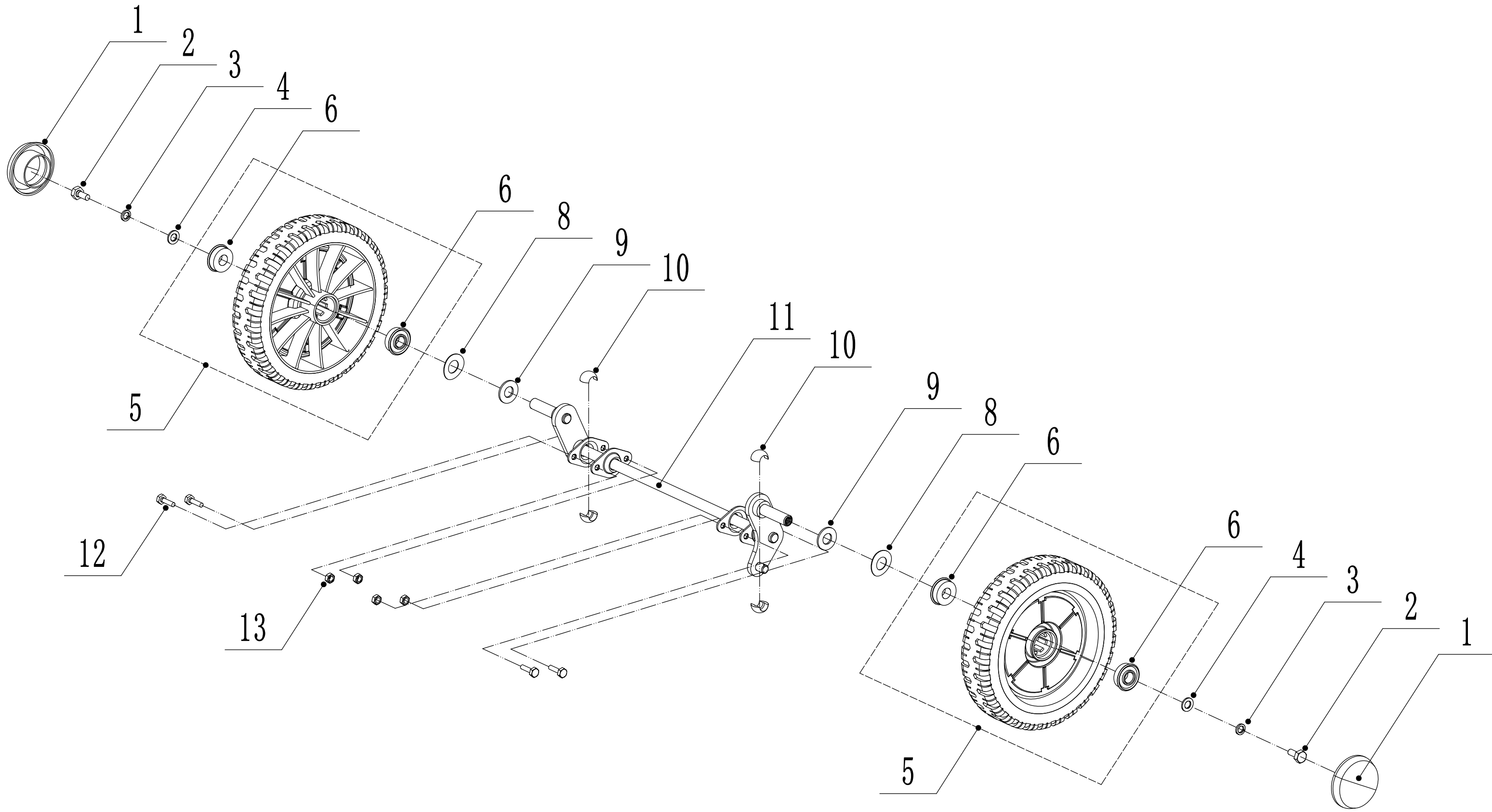
Part 2 - Main Body Spare parts		
No.	ID Zboží	Název
1	5040101011/49	Chassis
2	0102008016	Bolt - M8x16
3	0104005012	Screw - M5x12
4	AVSA000000040/22	Tooth Disc
5	4560112010K/40	Right Handle Bracket
6	0202005000	Lock Nut - M5
7	0202008000	Lock Nut - M8
8	4560111010K/40	Left Handle Bracket
9	0102006012	Bolt - M6x12
10	5040111030/49	Connector
11	0104006016	Screw - M6x16
12	4560110010/01	Graduator
13	0202006000	Lock Nut - M6
14	5040108010	Side Discharge Deflector
15	5040107012	Side Discharge Cover Kit
16	5020119010	Pivot - Side Discharge Cover
17	5020120010/02	Spring - Side Discharge Cover
18	0107006014	Square Neck Bolt
19	5020118010/02	Side Discharge Cover Bracket
22	0204006000	Lock Nut
23	5320114020/01	Upper Bearing Bracket
24	5040113010	Trailing Flap
25	5040112010/02	Pivot - Trailing Flap
26	5040104010	Mulching Plug
27	5360122010	Rubber Ring
28	5040106010/02	Pivot - Rear Cover
29	5360118010	Spring - Rear Cover
30	5040105010	Rear Cover
31	0301010000	Flat Washer
32	WB2100020102/01	Spring - Connecting Rod
33	5040109050/40	Connectting Rod
34	5320333010	Spring Clip
35	5360105010D/49	Baffle
36	0106004009	Screw - ST4.2x9.5
37	4560109012	Spring Bracket

3 Blade System



Part 3 - Blade System Spare parts		
No.	ID Zboží	Název
1	5360111010/02	Engine Washer 1
2	5360112010/02	Engine Washer 2
3	5320115010	Screw - 3/8x16x25
4	4510401010	Key 4
5	4560402040/02	Engine Pulley
6	0105006006	Screw - M6x6
7	5620133010S	V Belt - V10x835 30°
8	5040102010	Belt Shield
9	0302006000	Big Flat Washer
10	0202006000	Lock Nut - M6
12	5320404020/02	Adapter
13	5310402010	Friction Washer
14	5020405010A/32	Blade
15	5310404010/02	Lock Disc
16	5310406010/04	Spring Washer
17	5320405011	Central Bolt

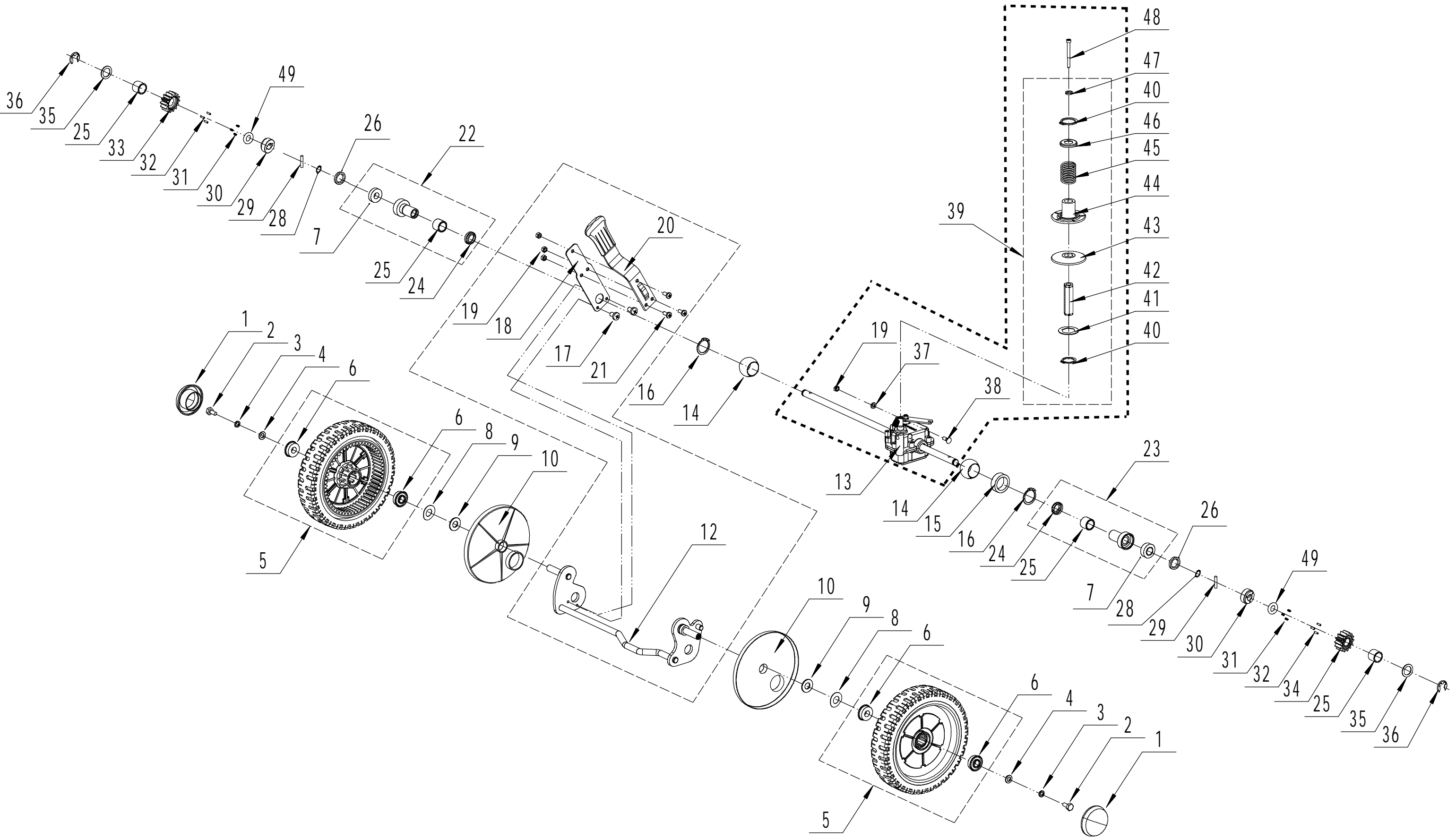
4 Front Axle



Part 4 - Front Axle Spare parts

No.	ID Zboží	Název
1	5310214010	Wheel Cap
2	0101008015	Bolt - M8x15
3	0401008000	Spring Washer
4	0301008000	Flat Washer
5	5310212010/40	Wheel
6	5310213010	Bearing
8	5310211010/02	Spacer
9	5310210010/02	Wheel Axis Spacer
10	5310209010	Spherical Bearing
11	5040201020/01	Front Axle Welding
12	0102006012	Hex Flange Bolt - M6x12
13	0202006000	Lock Nut - M6

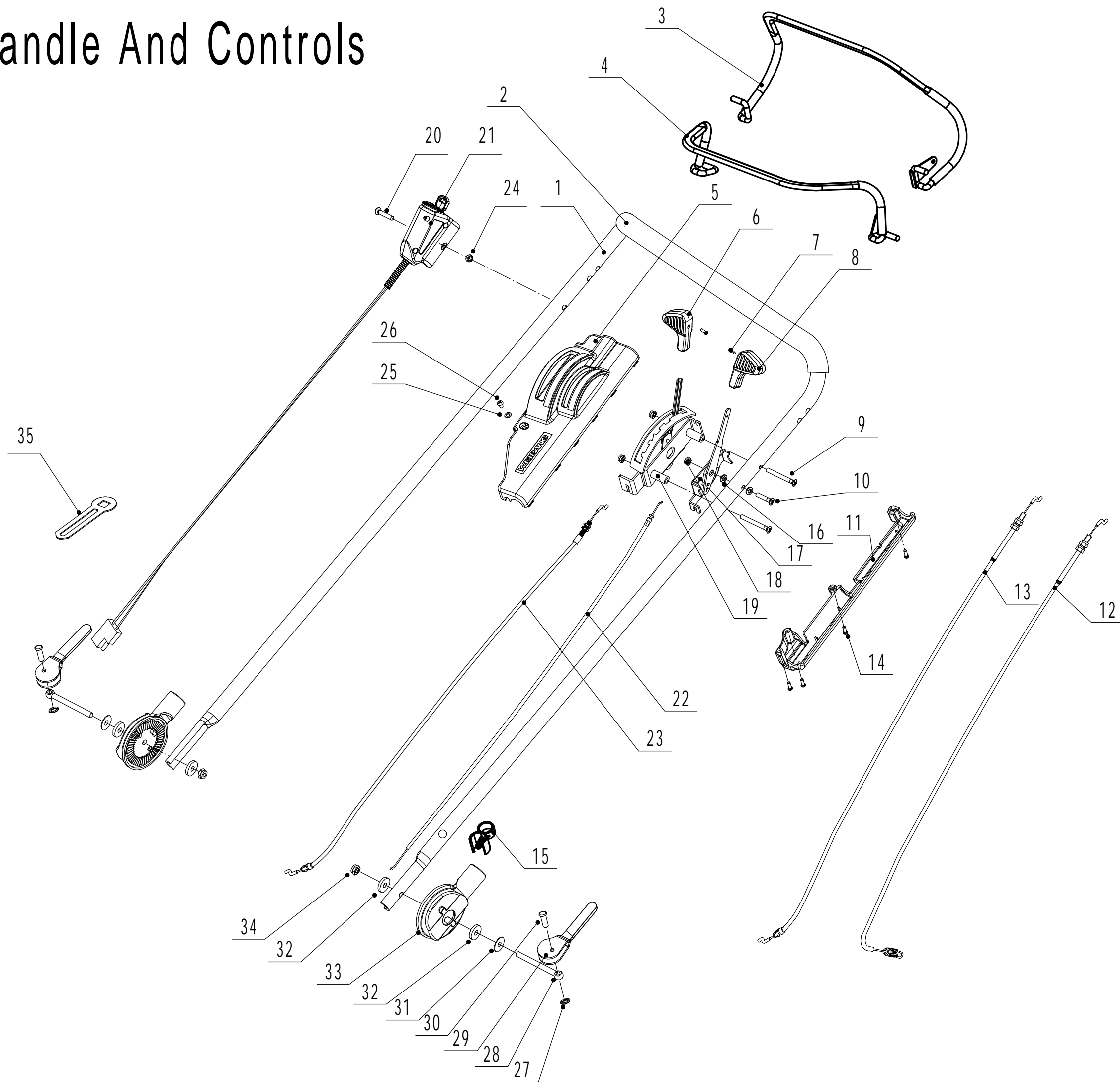
5 Rear axle



Part 5 - Rear Axle Spare parts

No.	ID Zboží	Název
1	5310214010	Wheel Cap
2	0101008015	Bolt - M8x15
3	0401008000	Spring Washer
4	0301008000	Flat Washer
5	5340309010/40	Wheel
6	5310213010	Bearing
7	R8-2RS	Bearing
8	5310211010/02	Spacer
9	5310210010/02	Wheel Axis Washer
10	5340312010	Anti-Dust Shield
12	5040301013/01	Rear Axle Weldment
13	Y20504V0P	Rear Transmission
14	5320328010	Nylon Spherical Bearing
15	5320329010/02	Rear Transmission Partition
16	1001020000	Check Ring For Shaft
17	0113005008	Screw - M5x8
18	5360311010/22	Spring Of Adjustment Lever
19	0202006000	Lock Nut - M6
20	5360310010/40	Adjustment Lever
21	0101006014	Bolt - M6x14
22	Y065321	Right Bearing Sheath Assembly
23	Y065320	Left Bearing Sheath Assembly
24	5320327010	Dustproof Ring
25	5320326010P	Bearing
26	GM48S010000010	Spacer
28	1001012000	Check Ring For Shaft
29	HQ000100060	Pin For Ratchet
30	HQ000100050	Ratchet
31	HQ000100040	Spring
32	HQ000100030	Pin
33	HQ000100020	Right Drive Pinion
34	HQ000100010	Left Drive Pinion
35	5020311010/04	Friction Mat
36	1301009000	Check Ring
37	0301006000	Flat Washer
38	0107006014	Bolt - M6x14
39	Y115380	Speed Variator Assembly
40	1001017000	Check Ring For Shaft
41	4820320010/02	Inner Hex Washer
42	4820321010/02	Hex Adapter
43	5380309010	Lower Pulley Disc
44	5380308010	Active Pulley Disc
45	4820324010	Pressing Spring
46	4820325010/02	Spring Cap
47	0401005000	Spring Washer
48	0103005055	Bolt - M5x55
49	1401025015	O Sealing Ring

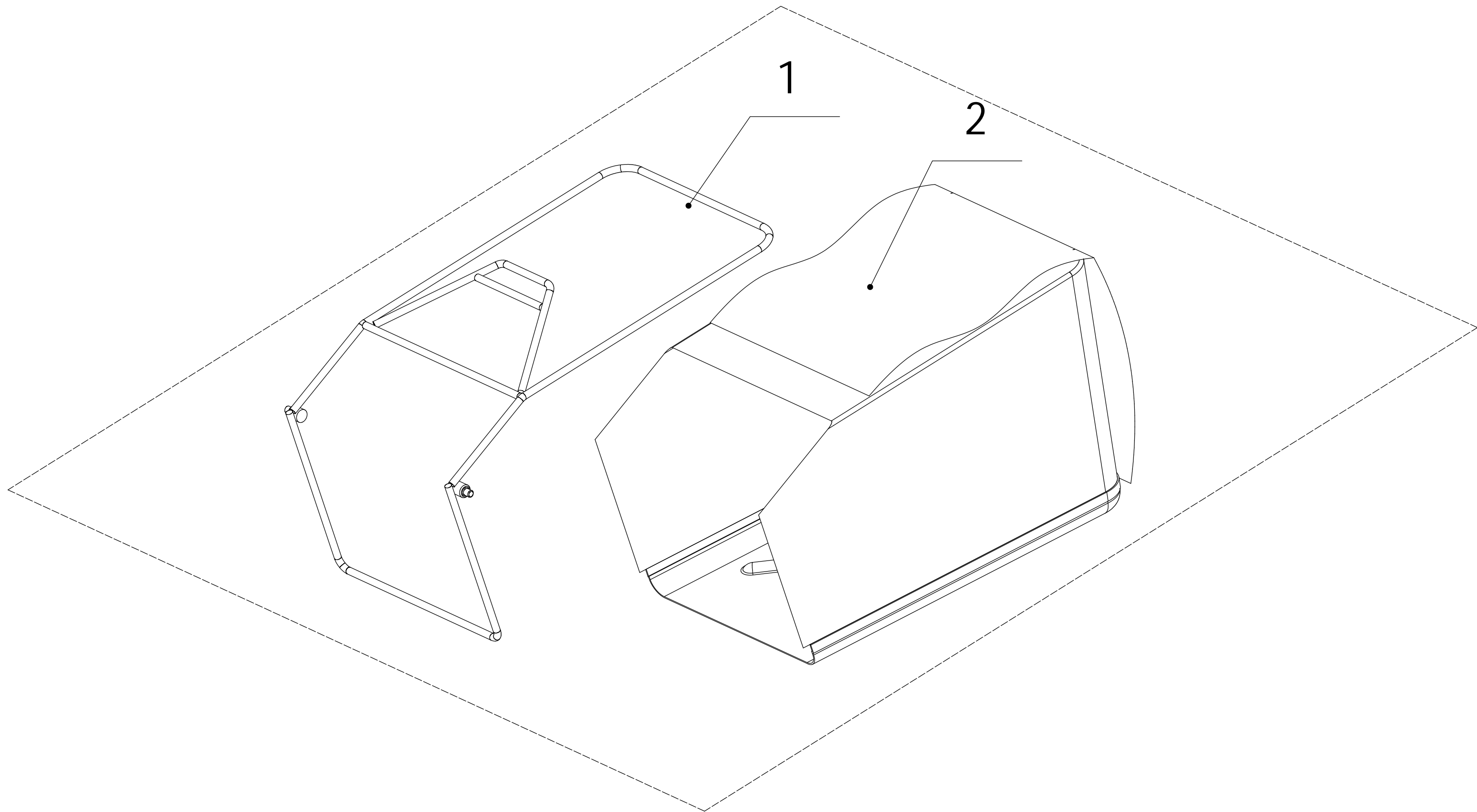
6 Handle And Controls



Part 6 - Handle and Controls Spare parts

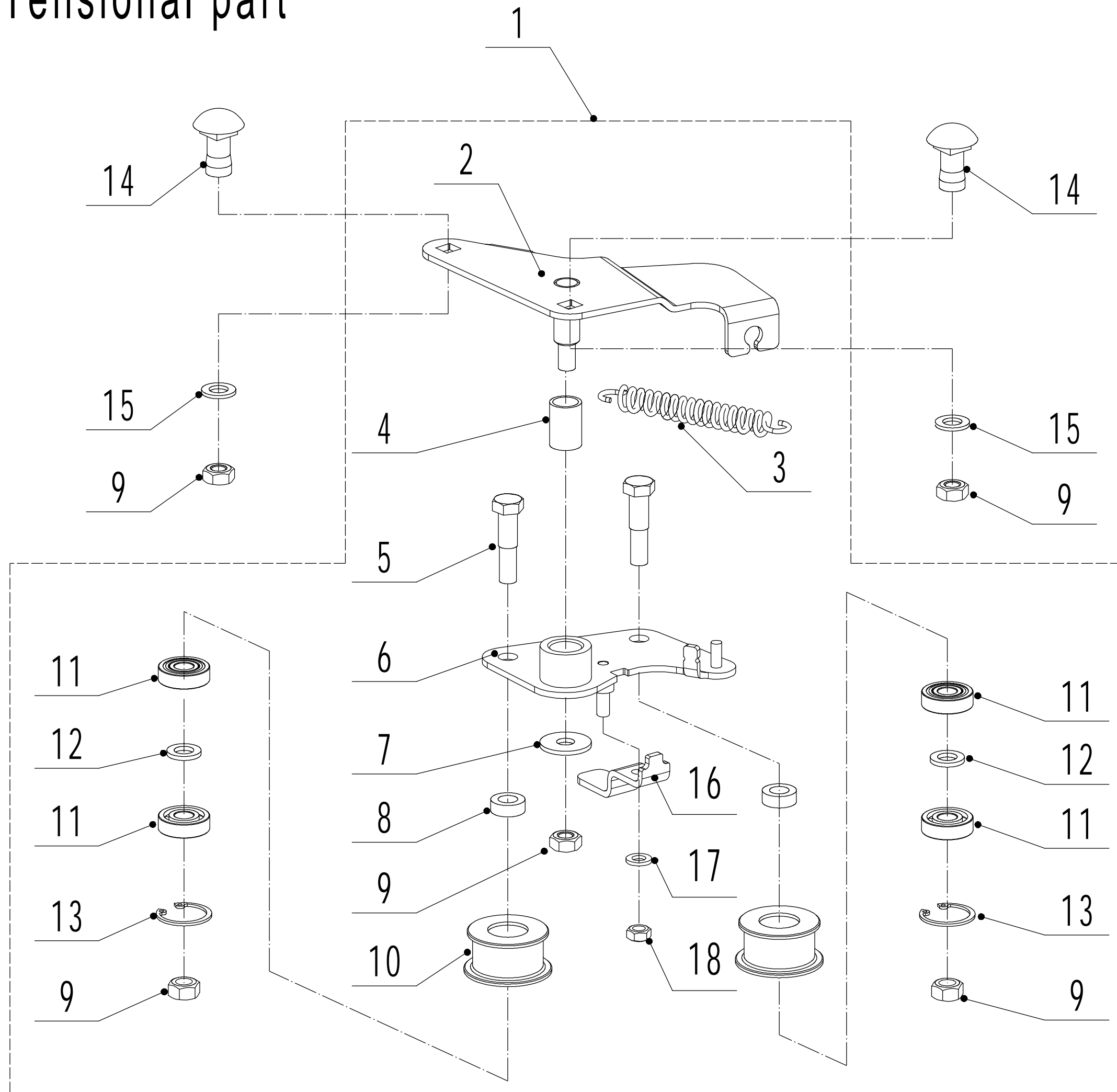
No.	ID Zboží	Název
1	5020501020S/49	Handle
2	GM56E010000081	Handle Sheath
3	5320511030S/40	Clutch Lever
4	5320503020S/40	OPC Lever
5	5020501030S	Control Cover - Upper
6	5380508010	Grip - Speed Lever
7	0106003013	Screw - ST2.9x13
8	5380510010	Grip - Throttle Lever
9	0108006060	Screw - M6x60
10	0108006050	Screw - M6x60
11	5020501040S	Control Cover - Lower
12	LH194-1225	Clutch Cable
13	BS120-1140	OPC Cable (Engine Brake)
14	0113040018	Screw
15	4560116010	Nylon circlip
16	0301006000	Washer - M6
17	5380512010	Throttle Control Bracket
18	0202006000	Lock Nut - M6
19	5360505010K	Speed Control Bracket
20	0108006030	Cross Slot bolt
21	YJQD/504	Button Start Assembly
22	YM90-1370-B	Throttle Cable
23	TX130-1060-A	Speed Control Cable
24	0202006000	Lock Nut-M6
25	0301005000	Flat Washer
26	0104005008	Screw - M5x8
27	4510114030	Fix Cap
28	GM48S000000100/02	Connecting Bolt
29	GM56A100400000	Lock Lever
30	0801008025	Pin - 8x25
31	GM56A100000040/04	Spacer
32	GM56A100000050/01	Spacer
33	GM48S030200000	Tooth Disc Kit
34	0203008000	Lock Nut - M8
35	40E0109000	Pressing Plate

7 Grass Catcher



Part 7 - Grasscatcher Spare parts		
No.	ID Zboží	Název
1	5040602010/22	Grass Catcher Frame
2	5040603010/84	Grass Bag

8 Tensional part



Part 8 - Variable Speed Pulley Spare parts		
No.	ID Zboží	Název
1	Y094560A1	Tensional Pully Assembly
2	5040114010A1/02	Tensional Arm Bracket
3	4820114010	Tensional Spring
4	4820112010	Nylon Bush
5	5340131010/02	Tensional Pulley Bolt
6	5040115010A1/02	Tensional Arm Weldment
7	0302008000	Big Flat Washer - M8
8	5340129010/02	Spacer1
9	0202008000	Lock Nut - M8
10	5340128010	Tensional Pulley
11	609/2RS	Bearing
12	5340130010/02	Spacer2
13	1001024000	Check Ring For Shaft
14	0107008016	Square Neck Bolt - M8x16
15	0301008000	Flat Washer - 8
16	5040122010/02	Belt limit plate
17	0301006000	Flat Washer - 6
18	0202006000	Nut - M6