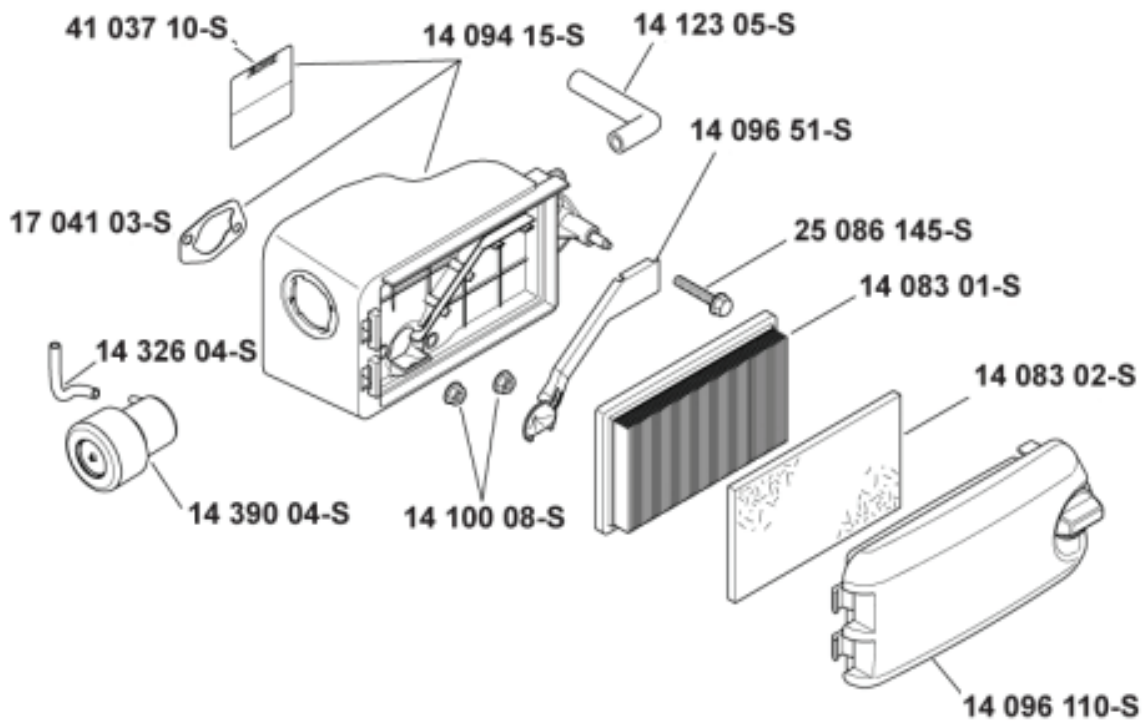
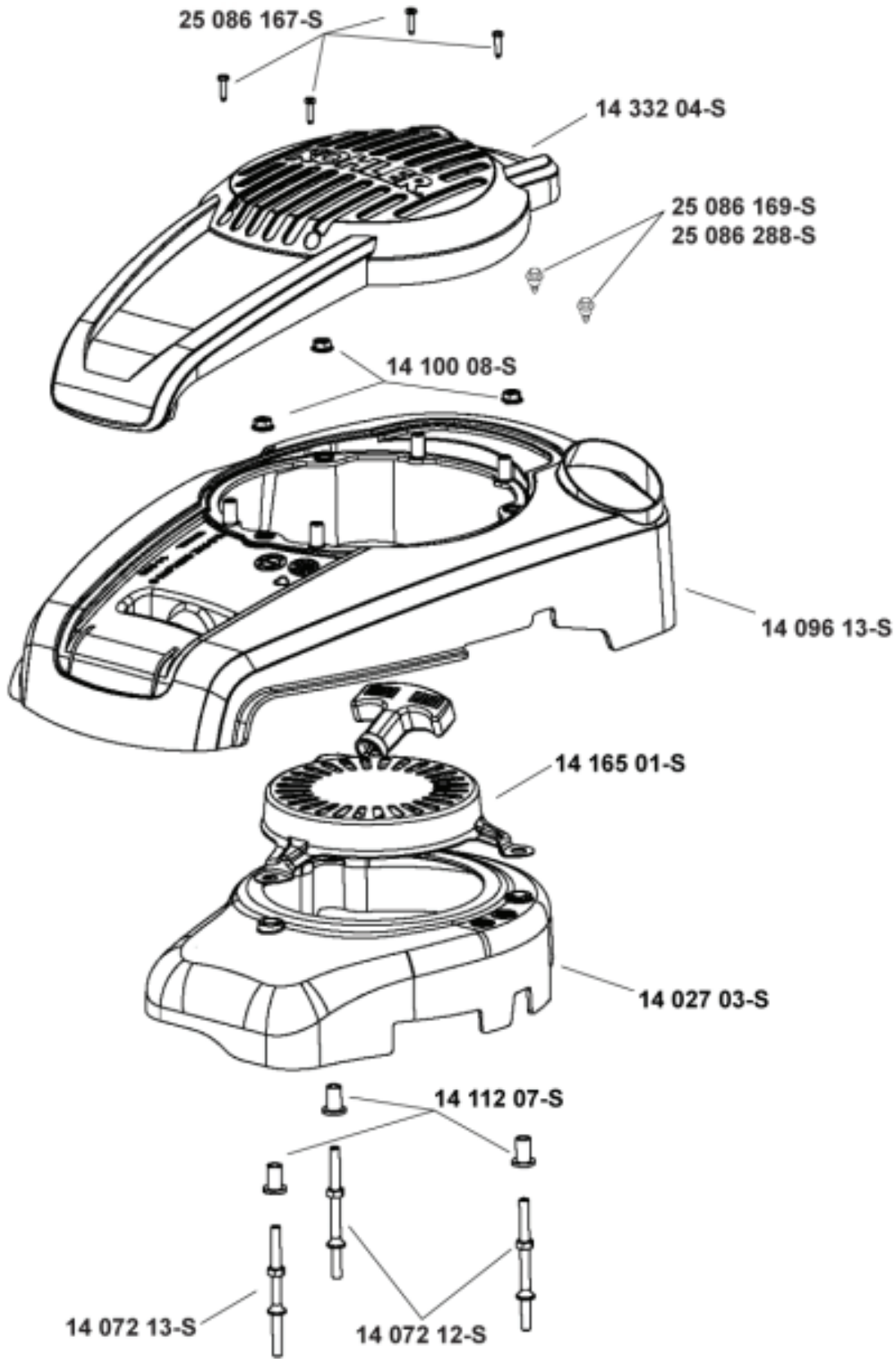


motor KOHLER XT173-0108

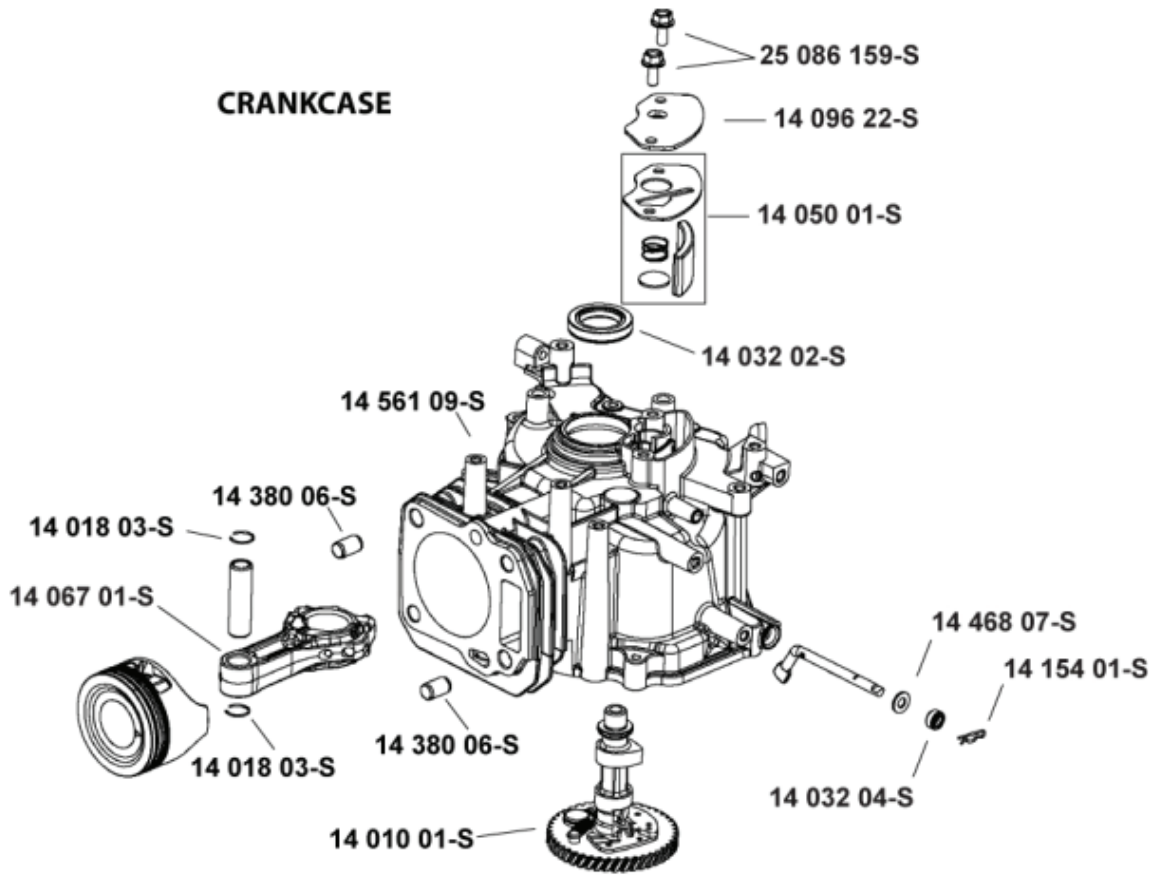
AIR INTAKE/FILTRATION



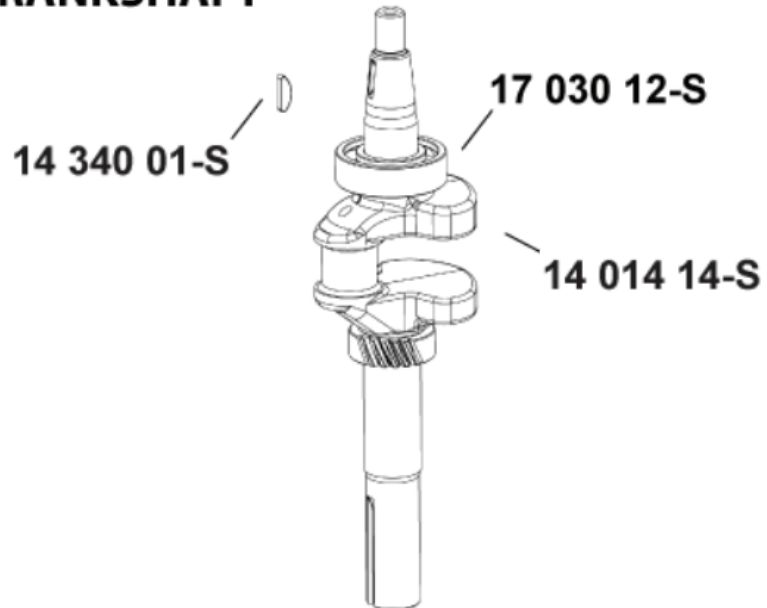
BLOWER HOUSING & BAFFLES



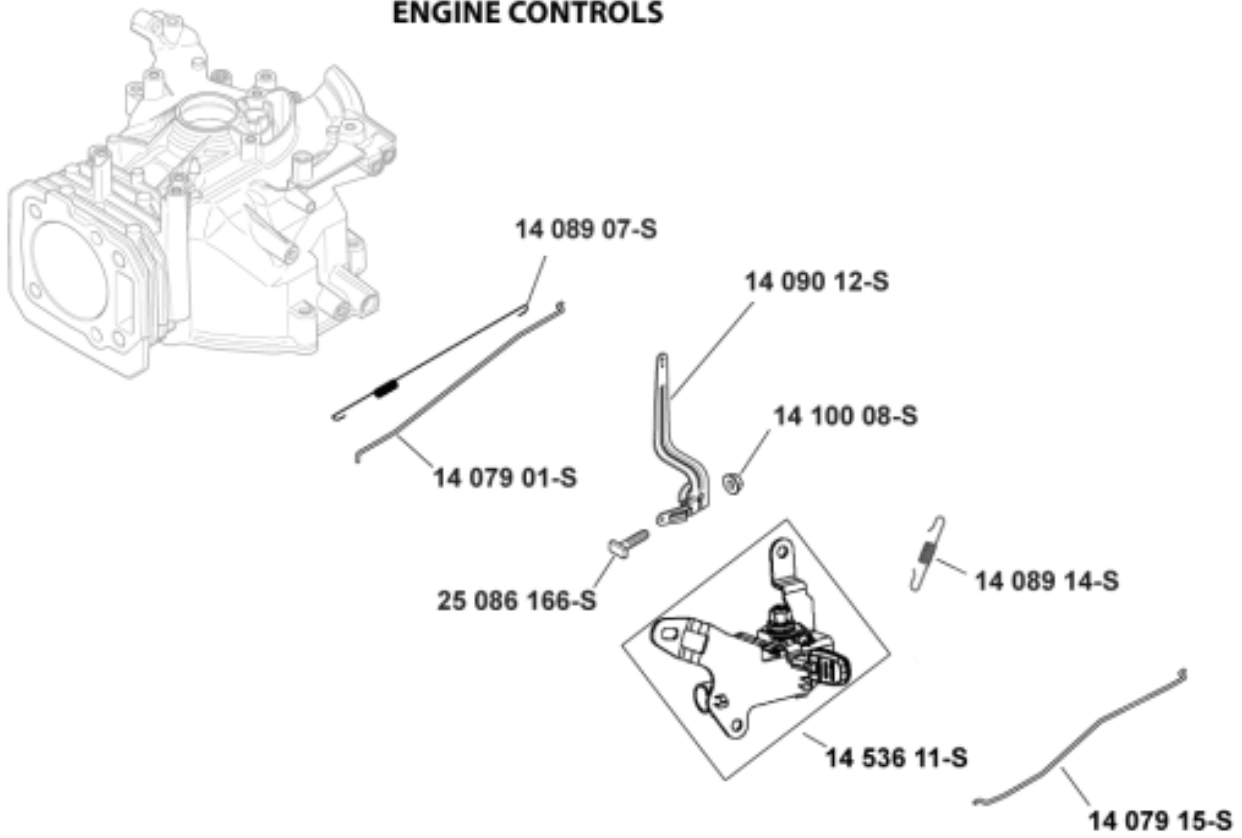
CRANKCASE



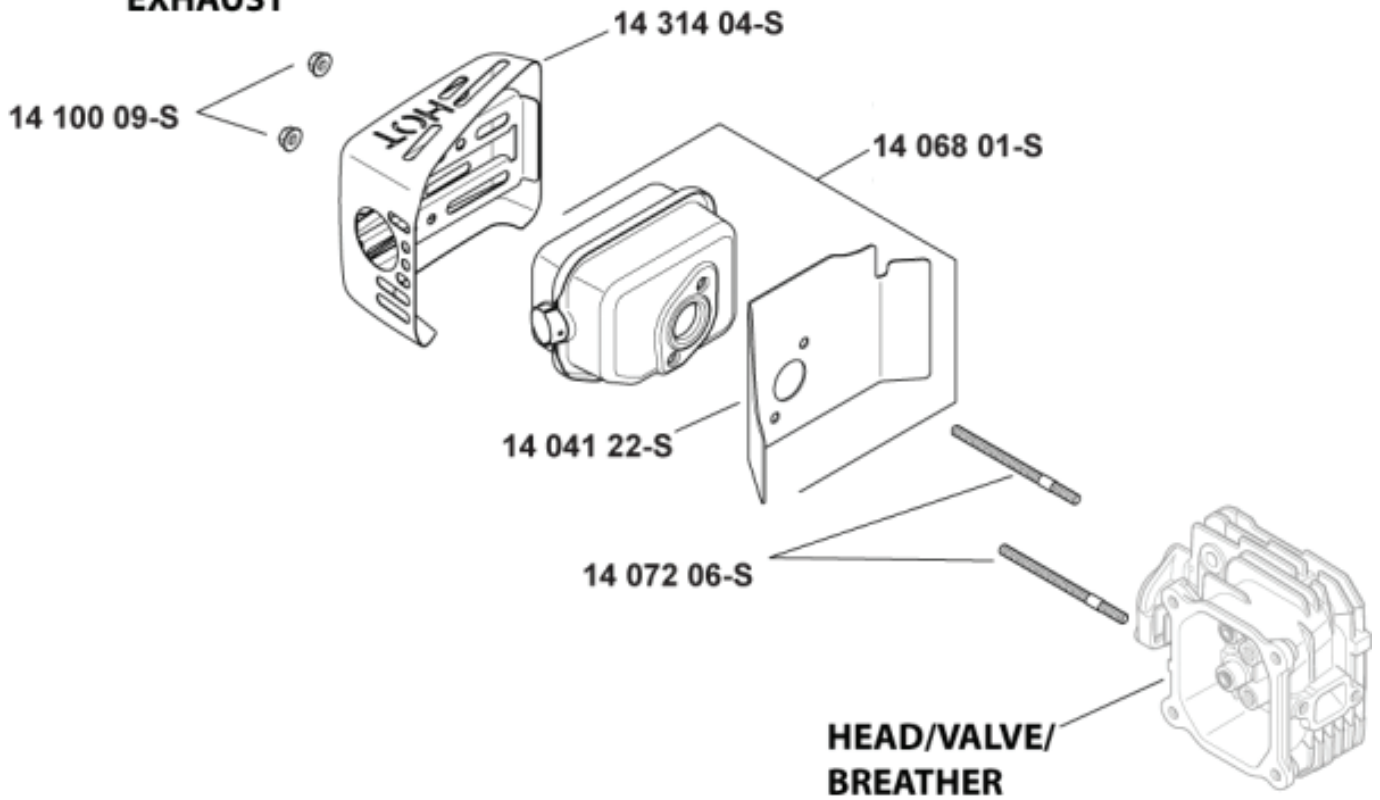
CRANKSHAFT



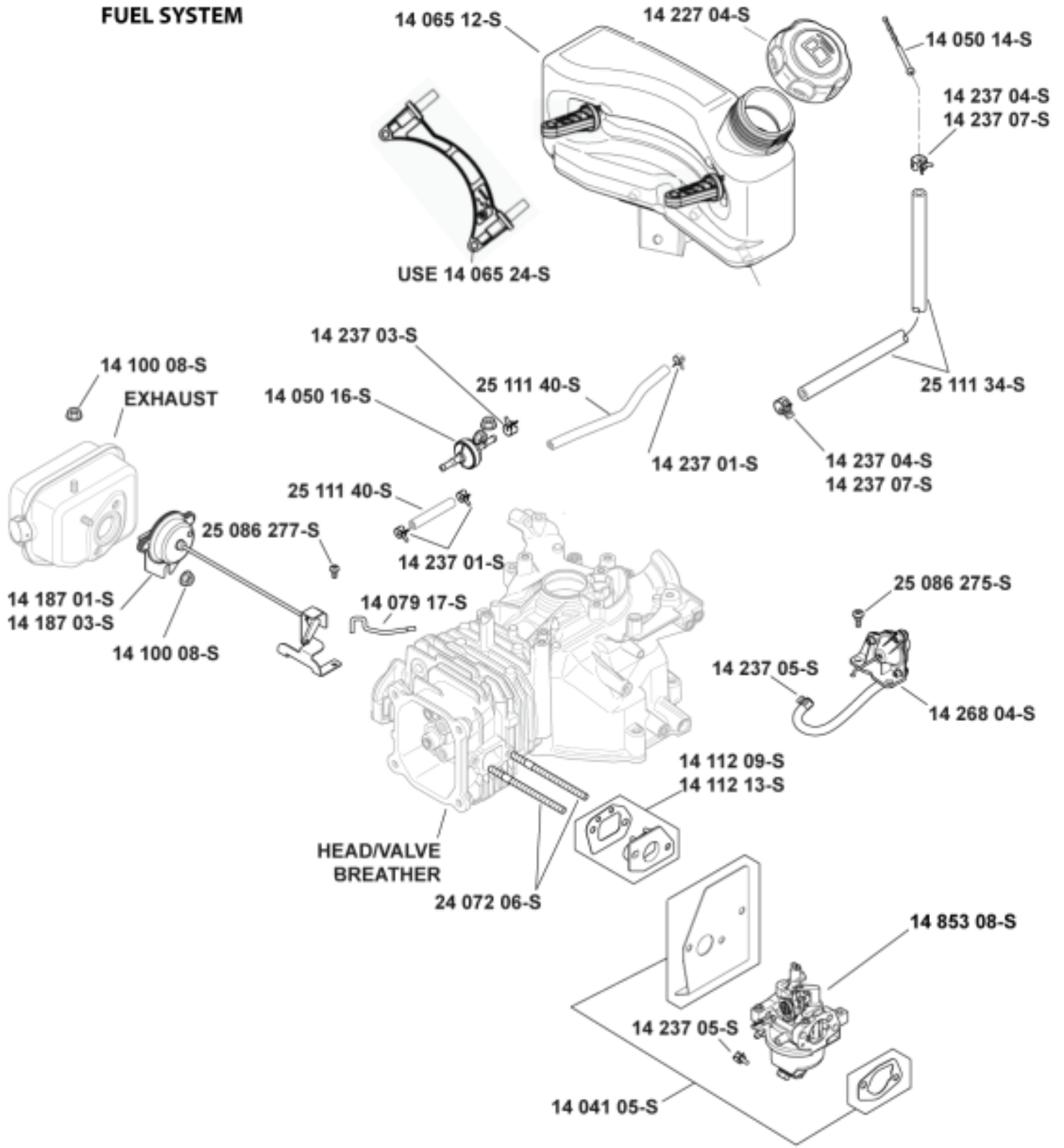
ENGINE CONTROLS



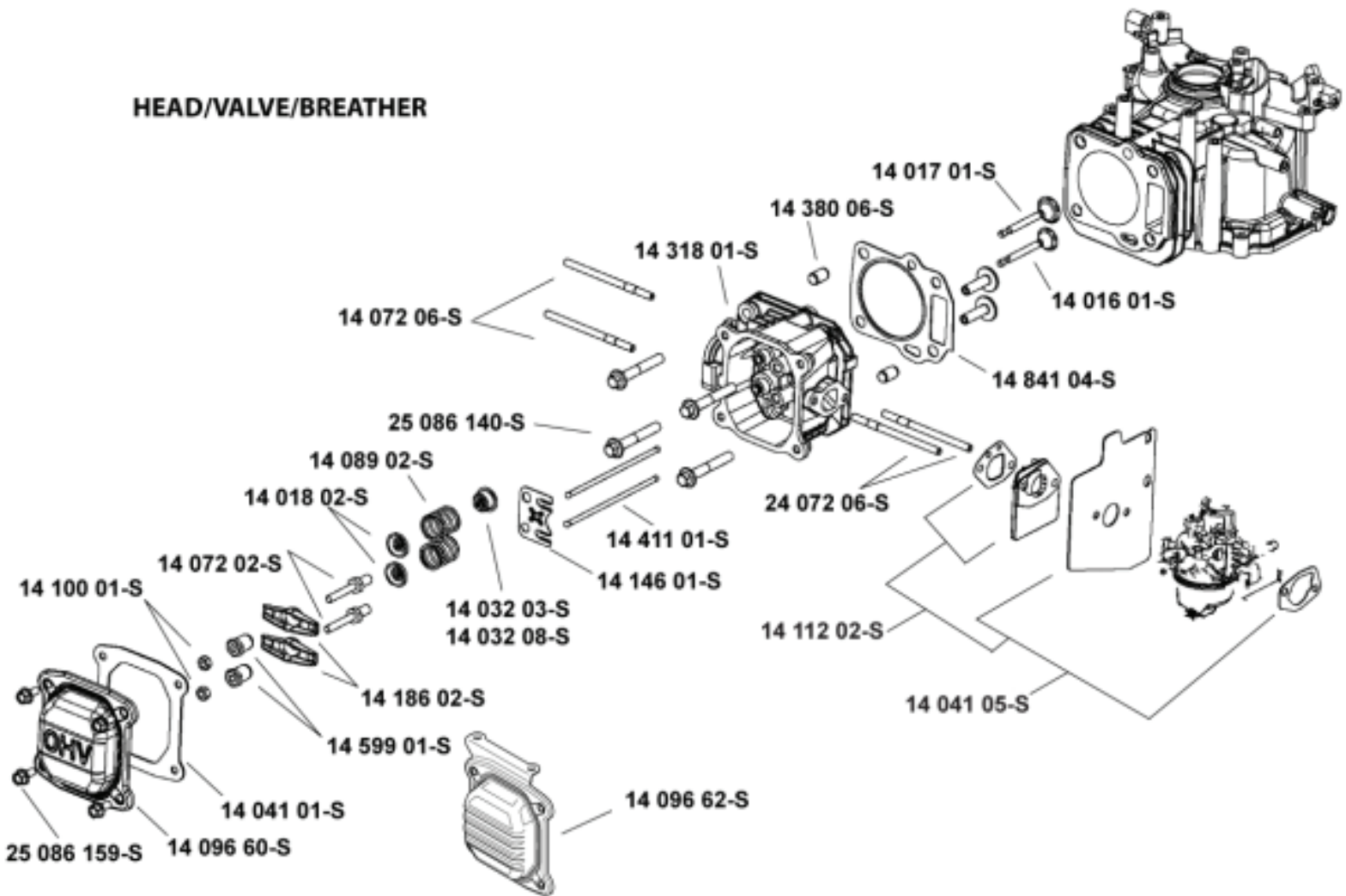
EXHAUST



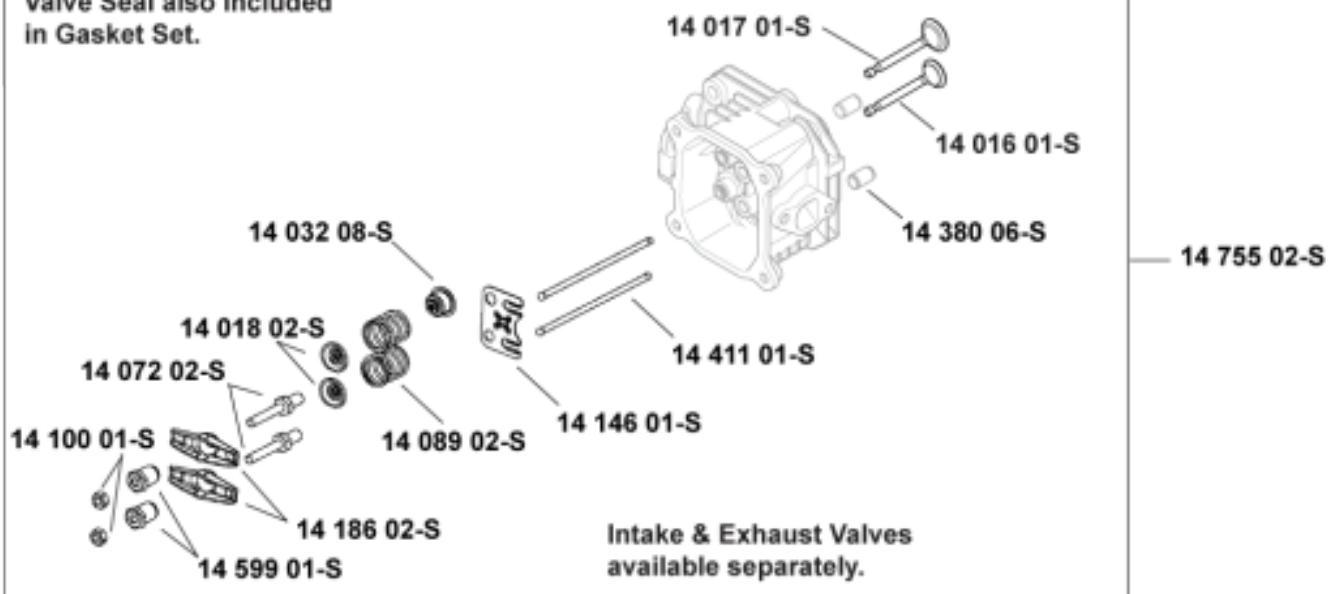
FUEL SYSTEM



HEAD/VALVE/BREATHER

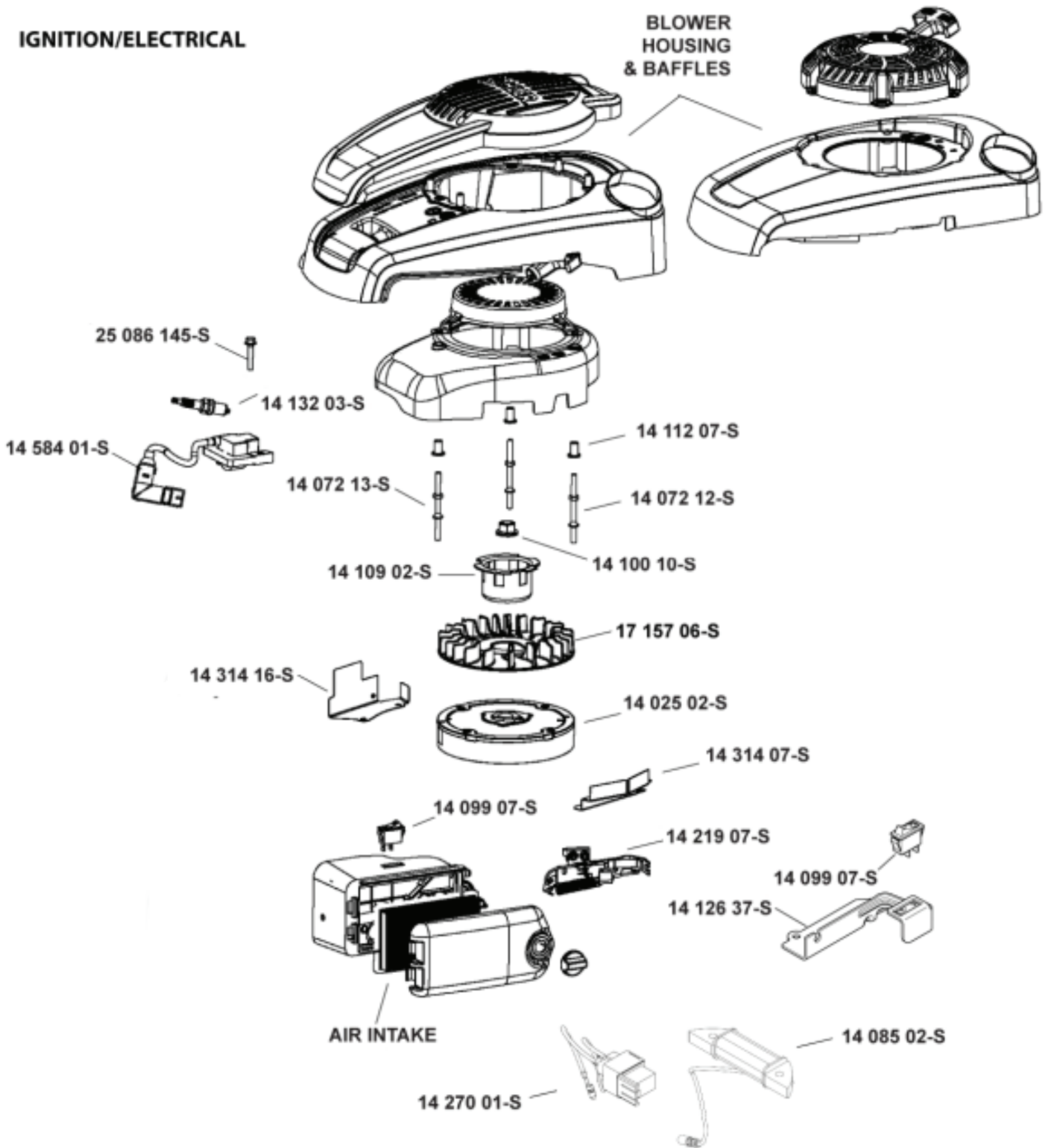


Valve Seal also included
in Gasket Set.

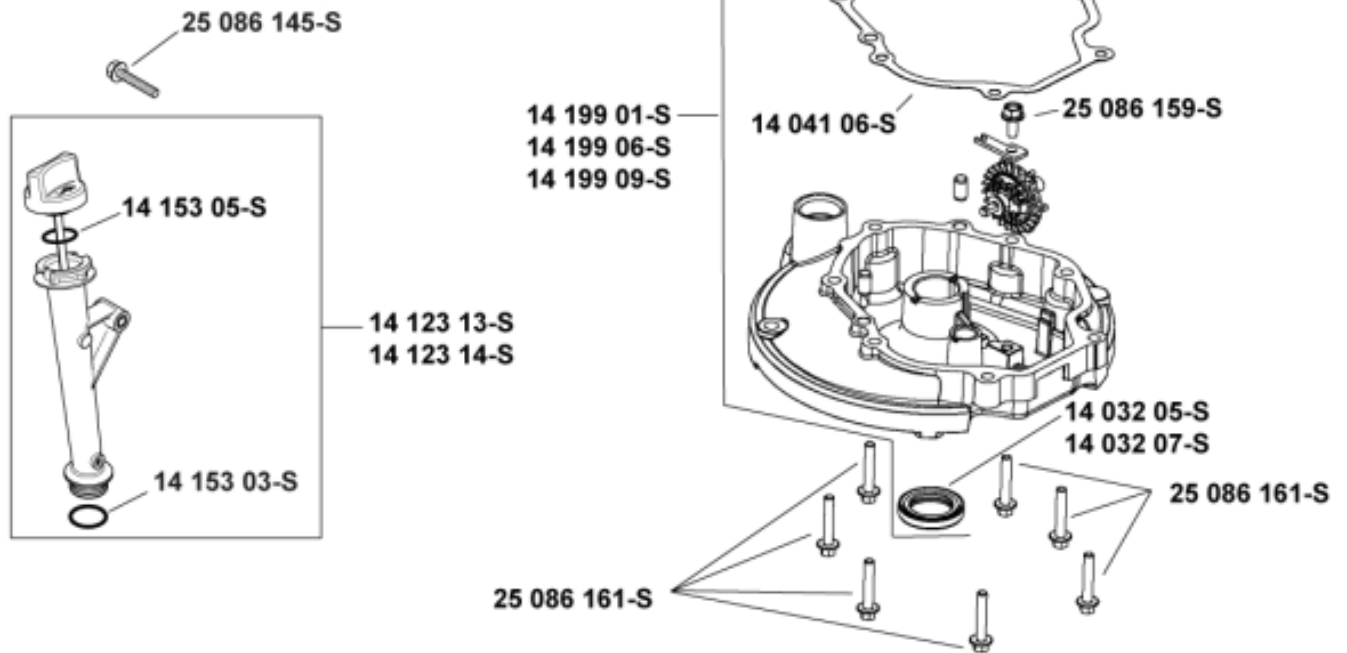


IGNITION/ELECTRICAL

BLOWER HOUSING & BAFFLES



OIL PAN/LUBRICATION



STARTING SYSTEM

