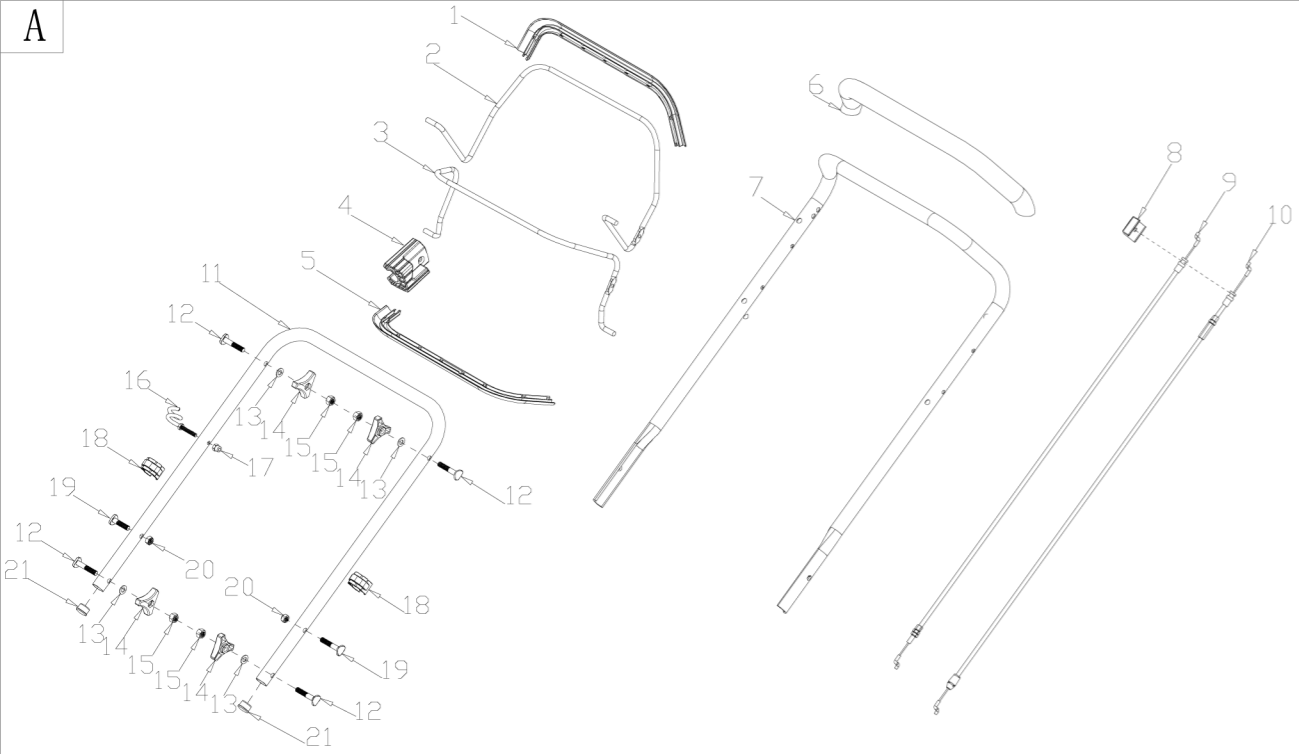
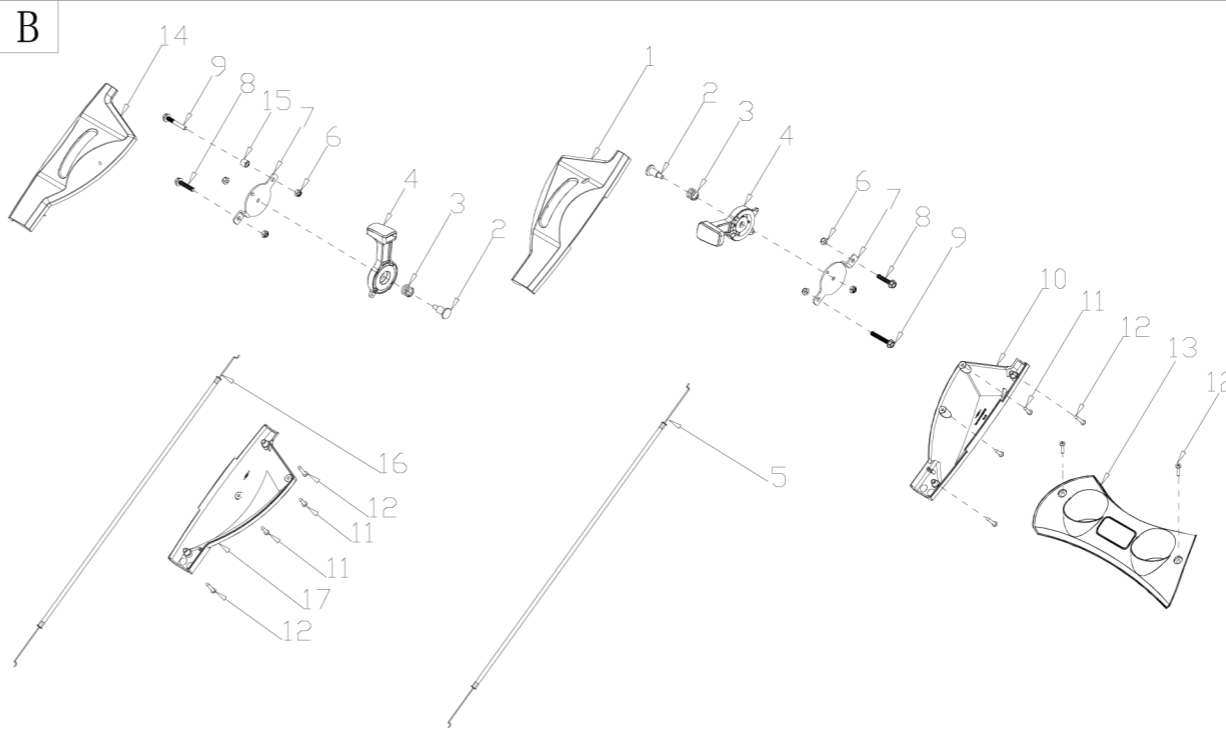
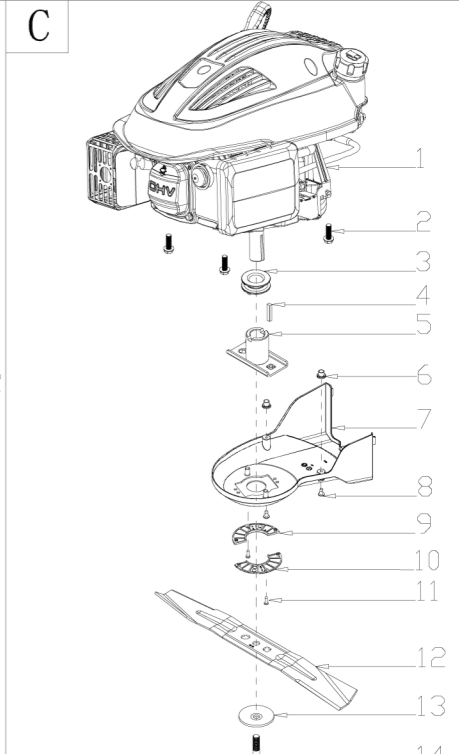
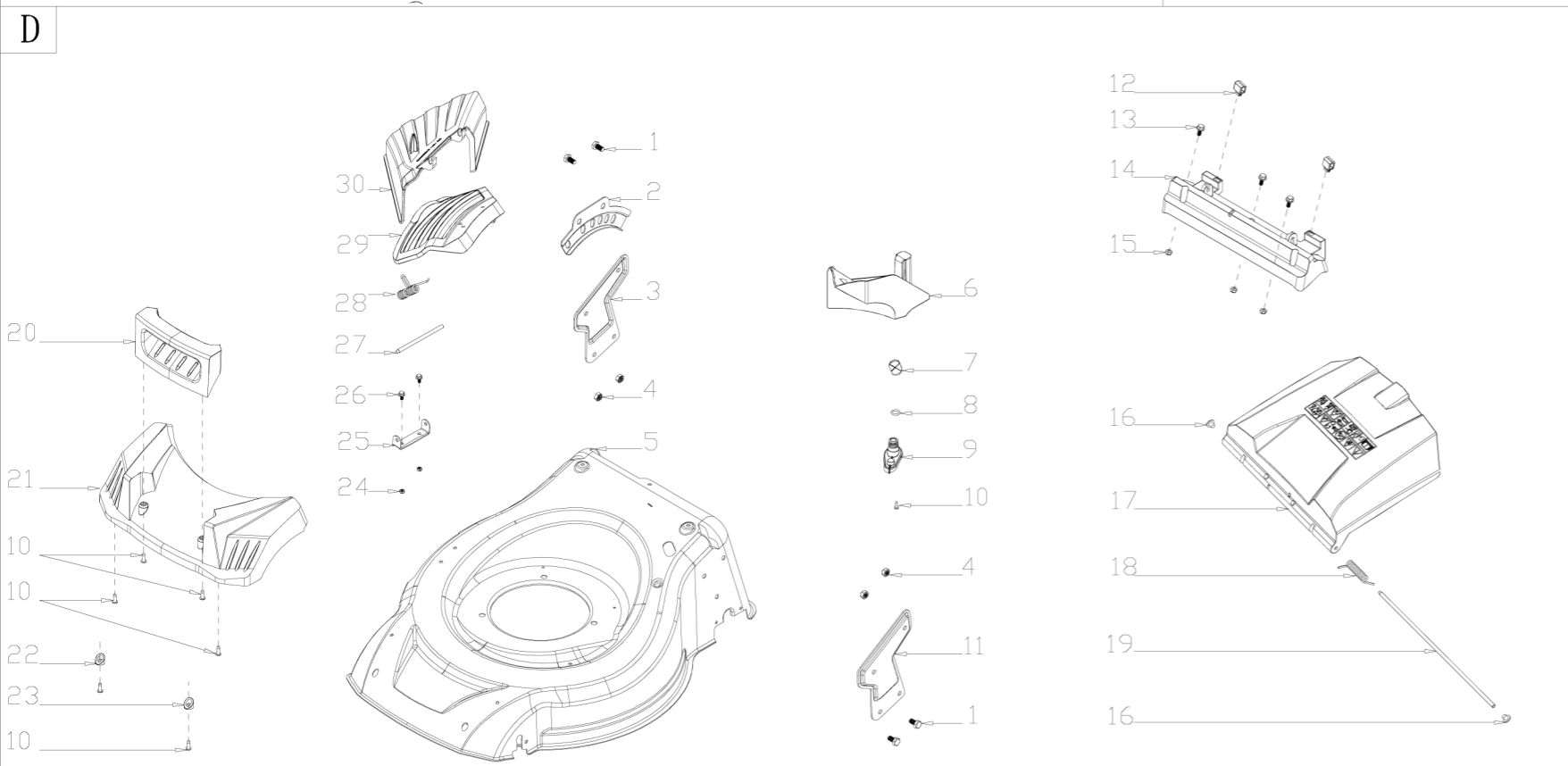
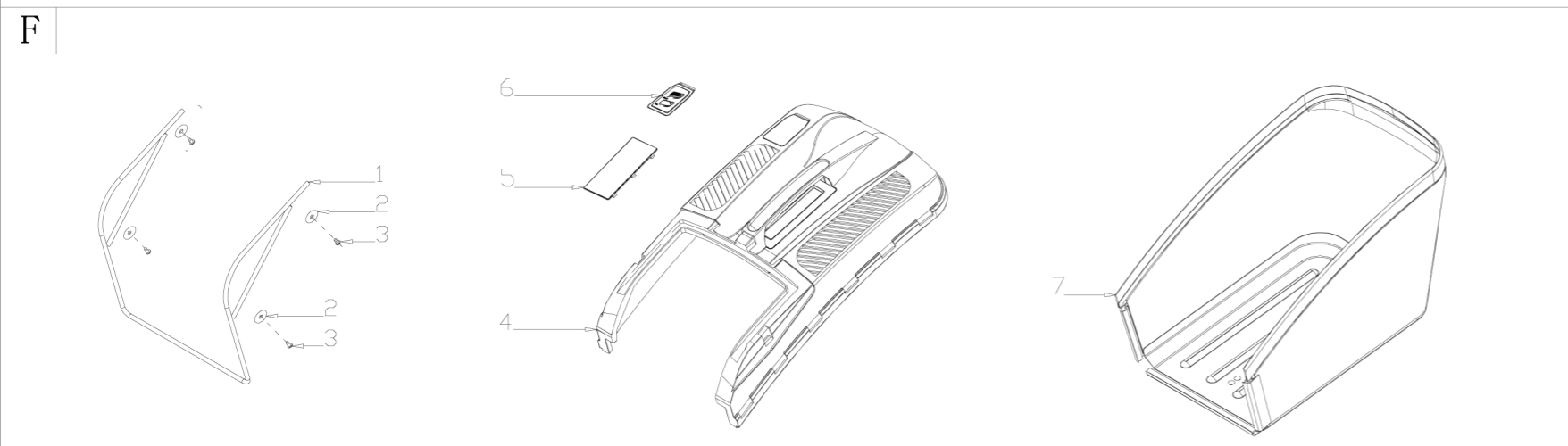


A**B****C****D**

VeGA 545 SXH 6in1 2017

**F**

No.	ID Zboží	Název
A	Part A	
A-1	G33Q0000110	Plastic Decoration
A-2	G3374000001	Clutch Lever
A-3	G3354000004	Brake Lever
A-4	G33XW0000000	Limiting Stopper
A-5	G33Q0000113	Plastic Decoration
A-6	G3320000000	Foam Pipe
A-7	G333F100004	Upper Handle Assy
A-8	G339X300000	Cable Fixing Clamp
A-9	G339XXA0000	Brake Cable
A-10	G339XYB0000	Clutch Cable
A-11	G33B4000004	Lower Handle
A-12	B1088W08050	Bolt
A-13	B5019W00000	Flat Washer
A-14	G33C1100011	Knob
A-15	B2020W00000	Nut
A-16	G33K0000000	Rope Guide
A-17	B2011B00000	Nut
A-18	G33H0000000	Cable Support
A-19	B1087W08032	Bolt
A-20	B2009W00000	Nut
A-21	G33J0000000	Handle Plug

No.	ID Zboží	Název
B	Part B	
B-1	G33F0000000	Upper Cover of Left Panel
B-2	G33P0000000	Bolt
B-3	G33N0000000	Spring
B-4	G33L0000013	Plastic Grip
B-5	G63R0000000	Cable
B-6	B2008W00000	Nut
B-7	G33M0000000	Fixed plate
B-8	B1065W06030	Bolt
B-9	B1047W06040	Bolt
B-10	G33G0000000	Lower Cover of Left Panel
B-11	B3034W00000	Screw
B-12	B3032W00000	Screw
B-13	G33E0000008	Handle Panel
B-14	G33FX000000	Upper Cover of Right Panel
B-15	G33T0000000	Bush
B-16	G33SS000000	Cable
B-17	G33GX000000	Lower Cover of Right Panel

No.	ID Zboží	Název
C	Part C	
C-1	Y3000000013	Engine
C-2	B1077W08025	Bolt
C-3	G34AW000000	Belt Wheel
C-4	BE001W00000	Flat Key
C-5	G3530000000	Blade adapter
C-6	G22K0000000	Screw Cap
C-7	G623N000000	Belt Cover
C-8	B3022W00000	Screw
C-9	G323G000000	Belt Cover Plate
C-10	G323H000000	Belt Cover Plate
C-11	B3034W00000	Screw
C-12	G6511000000	21" Blade
C-13	G3520000000	Blade Washer
C-14	B1001B00032	Blade Bolt

No.	ID Zboží	Název
D	Part D	
D-1	B1036W08015	Bolt
D-2	G54BD000000	Height Adjustment Plate
D-3	G42B0000000	Right Bracket
D-4	B2009W00000	Nut
D-5	G6217000002	Deck
D-6	G46M0000000	Mulching Plug
D-7	G52E0000000	Cable Sleeve
D-8	BD001B00000	Seal Ring
D-9	G62D0000000	Washing Linker
D-10	B3023W00000	Screw
D-11	G42C0000000	Left Bracket
D-12	G32J0000000	Rear Cover Support
D-13	B1059W06014	Bolt
D-14	G42A0000000	Rear Cover Pedestal
D-15	B2008W00000	Nut
D-16	G32K0000000	Plug
D-17	G36B0000010	Rear Cover
D-18	G36J0000000	Rear Cover Spring
D-19	G36E0000000	Rear Cover Shaft
D-20	G4241100008	Front Plastic Face Handle
D-21	G4241000010	Front Plastic Face
D-22	G52G0000000	Washer R
D-23	G52F0000000	Washer L
D-24	B2007W00000	Nut
D-25	G6250000000	Side Discharge Bracket
D-26	B1052W05010	Bolt
D-27	G3260000000	Side Discharge Cover Shaft
D-28	G3271000000	Side Discharge Cover Spring
D-29	G4280000000	Side Discharge Cover
D-30	G4290000000	Side-Discharge Guiding Board

No.	ID Zboží	Název
E	Part E	
E-1	G342000013	Height Adjustment Handle
E-2	G5490000300	Rear Wheel Shaft Assy
E-3	G54AD000000	Inner Wheel Cover
E-4	B6009B00000	Spring Washer
E-5	B1057W06010	Bolt
E-6	B0014W00000	Ball Bearing
E-7	G54N1000000	11" Wheel
E-8	B5031W00000	Flat Washer
E-9	B2017W00000	Nut
E-10	G54X1000008	11" Outer Wheel Cover
E-11	BB004W00000	Split Pin
E-12	BA009B00000	Belt Li813
E-13	G34APX00000	Gearbox
E-14	G34AJ000100	Spring
E-15	G34AN000000	Pin
E-16	B2007W00000	Nut
E-17	G34D0000000	Shaft Sleeve
E-18	B1053W05012	Bolt
E-19	B9006B00000	Lock Ring
E-20	B5033W00000	Flat Washer
E-21	G54AL000000	Left Gear
E-22	G54AM000000	Right Gear
E-23	G6451Y00000	Front Wheel Shaft
E-24	B2008W00000	Nut
E-25	B1058W06012	Bolt
E-26	B2016W00000	Nut
E-27	B0019W00000	Bearing
E-28	G34H1000000	8" Wheel
E-29	G34T1000008	8" Outer Wheel Cover
E-30	G34AX100000	Height Adjustment Spring
E-31	G6410000100	Height Adjustment Connecting Rod
E-32	G349X000000	Precursor axle
E-33	G34APX10000	Fixing plate

No.	ID Zboží	Název
F	Part F	
F-1	G3661200000	Metal Bracket
F-2	B5032W00000	Washer
F-3	B3022W00000	Screw
F-4	G3661110008	Plastic Cover
F-5	G3661120008	Cover Plate
F-6	G3641130013	Indicated Board
F-7	G1401100000	Fabric Bag