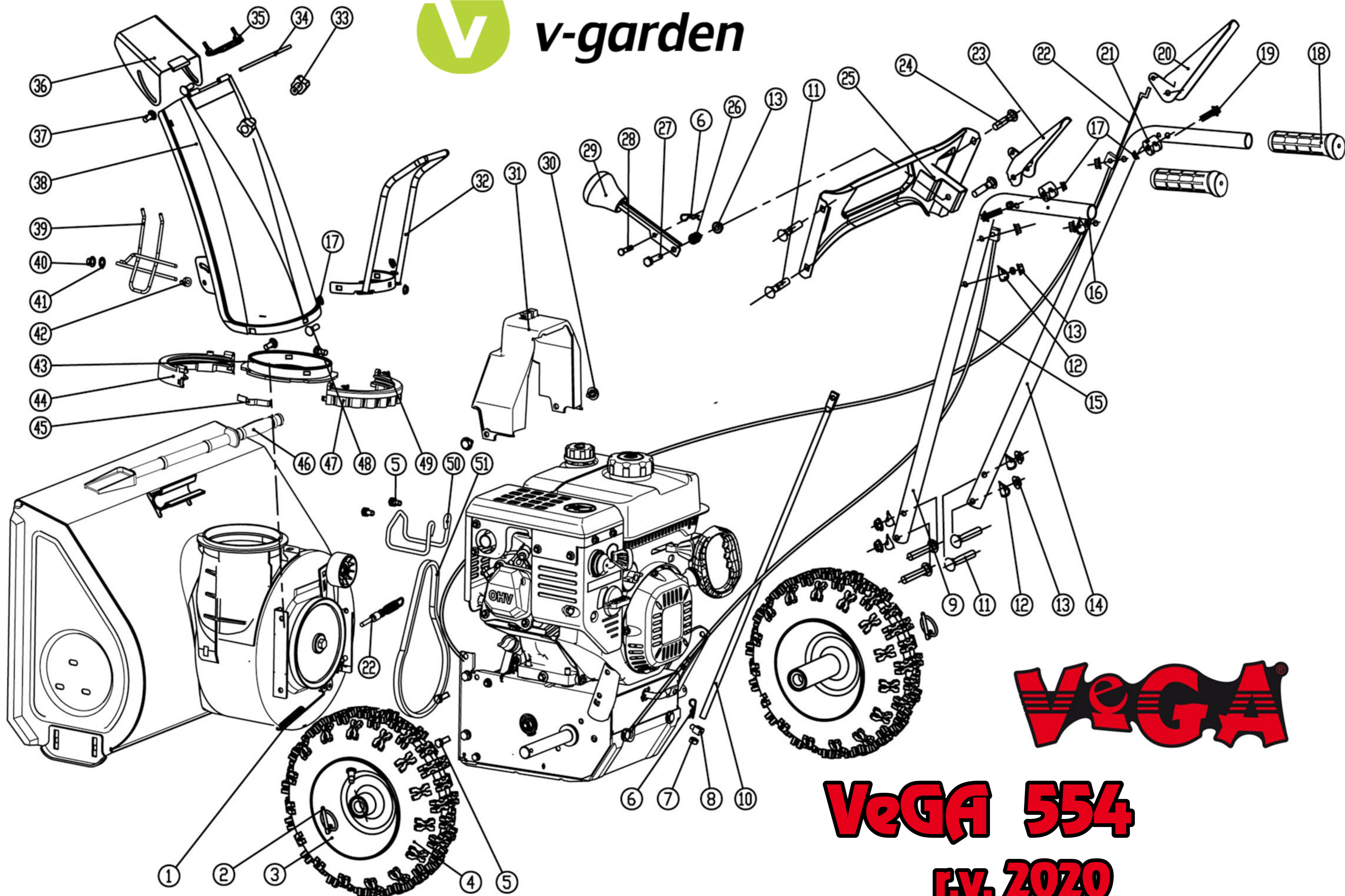




v-garden

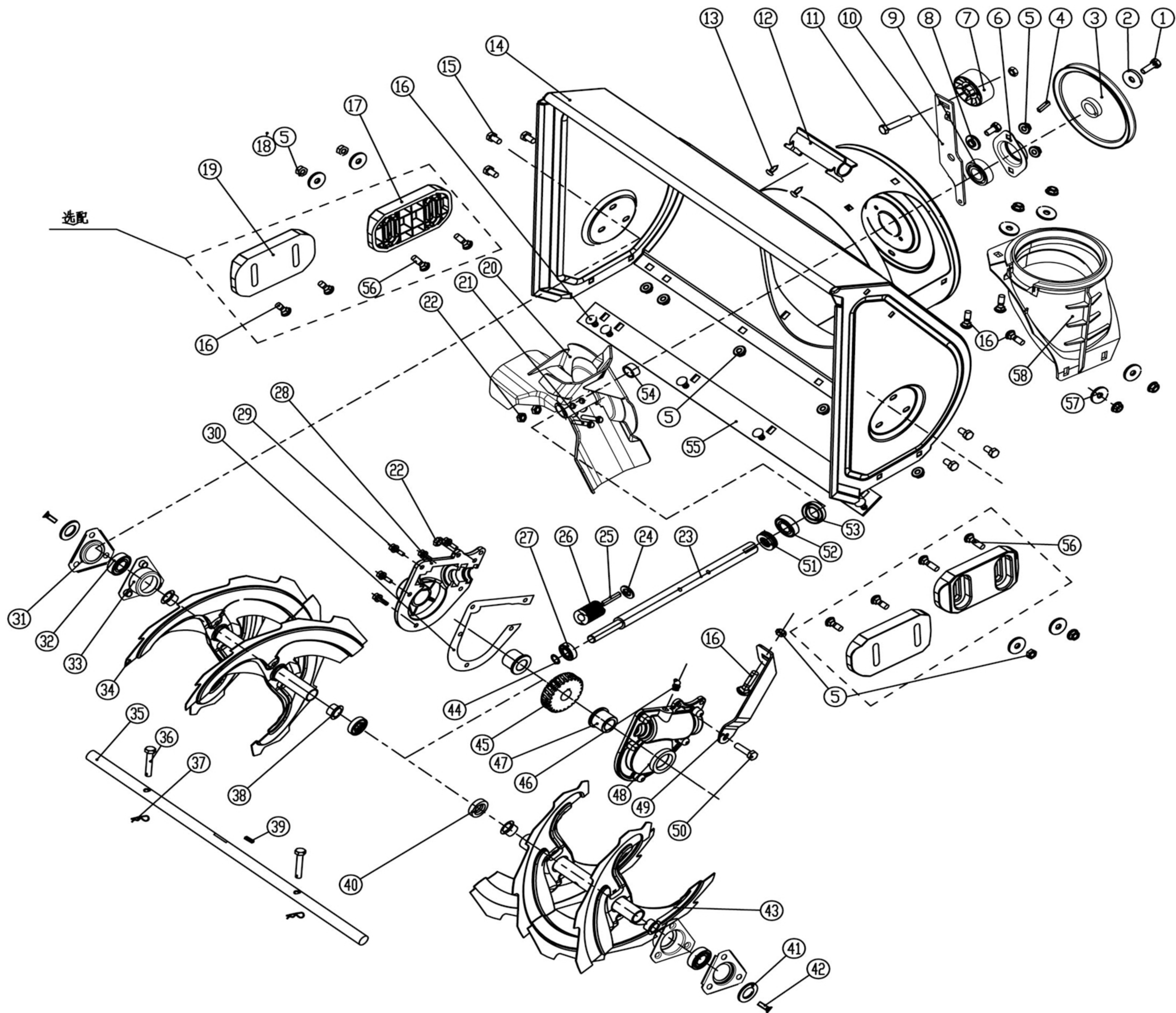


**VEGA**

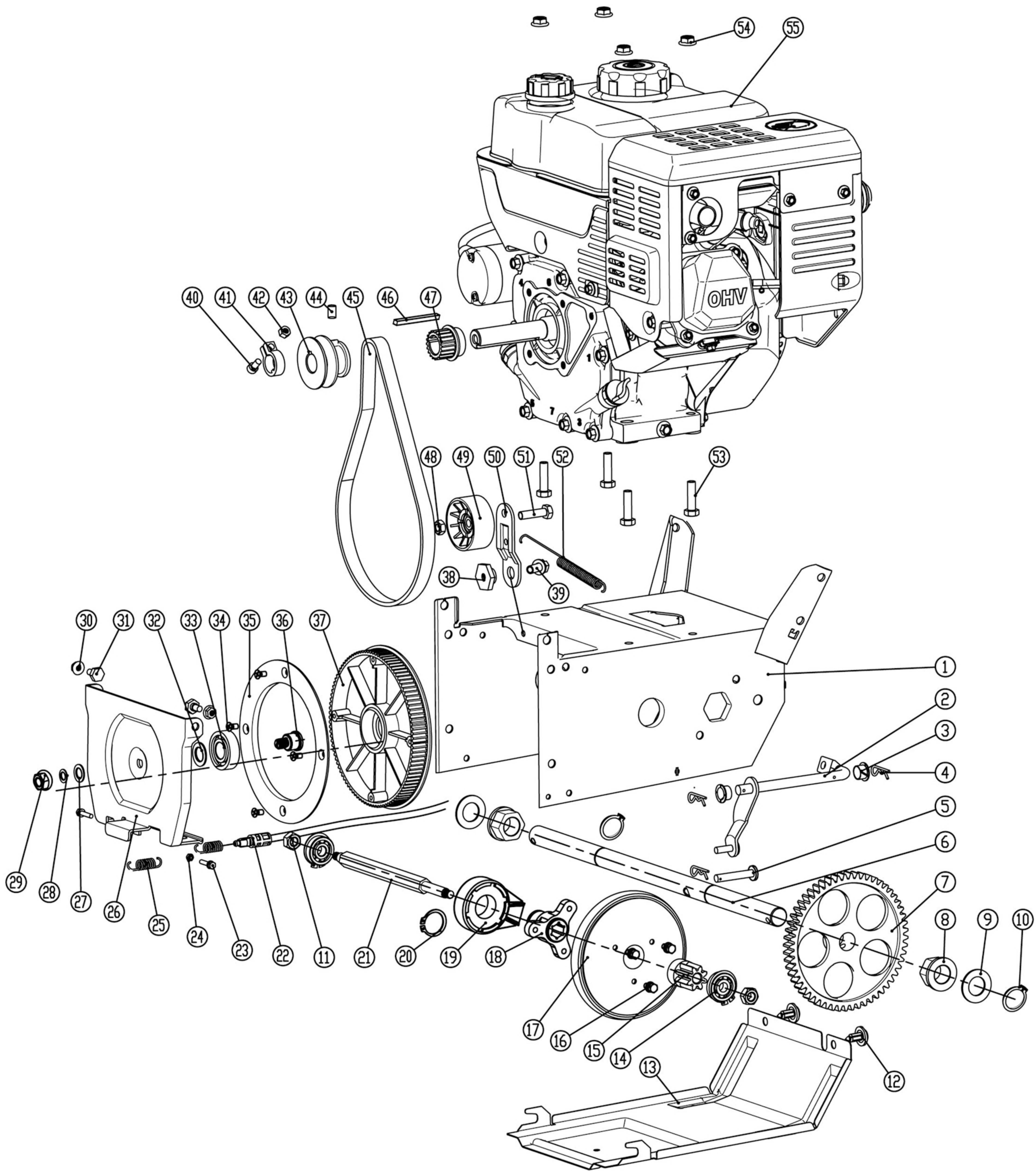
**VeGA 554**

**r.v. 2020**

<b>NO.</b>	<b>Part No. Výrobce</b>	<b>Part No. V-GARDEN</b>	<b>English Description</b>
1	KCM22B-02-19	50554KCM22B-02-19	spring
2	KCW-03	50554KCW-03	D pin 6x40
3	KC21-02-27	50554KC21-02-27	wheel hub
4	13X4.10-6	5055413X4.10-6	trye 13x4.10-6
5	GB/T9074.17-2000	50554GB/T9074.17-2000	bolt M8X20
6	S03*00493	50554S03*00493	B pin 1.5x25
7	GB/T41-2000	50554GB/T41-2000	bolt M8x1
8	KCM22B-03	50554KCM22B-03	adjusting nut
9	KC21-03-02BR	50554KC21-03-02BR	upper handle,right
10	KCM22B-04	50554KCM22B-04	connecting rod
11	GB/T12-1988	50554GB/T12-1988	bolt M8X40
12	S07*00447	50554S07*00447	washer 8x22x2
13	GB/T889.1-2000	50554GB/T889.1-2000	hex lock nut M8
14	KC21-03-02BL	50554KC21-03-02BL	upper handle,left
15	KCM22B-02-09	50554KCM22B-02-09	walking cable
16	GB/T93-1987	50554GB/T93-1987	elastic washer
17	GB/T6183.1-2000	50554GB/T6183.1-2000	hex lock nut M6
18	KC21-03C-05	50554KC21-03C-05	handle bar
19	KC21-03C-2	50554KC21-03C-2	handle bolt
20	KC21-03C-04B	50554KC21-03C-04B	control lever,right
21	KC21-03C-08	50554KC21-03C-08	handle waher
22	KCM22B-05	50554KCM22B-05	auger wire
23	KC21-03C-06B	50554KC21-03C-06B	control lever,left
24	GB/T12-1988	50554GB/T12-1988	bolt M8X45
25	KCM24-04	50554KCM24-04	panel
26	KC55-03-04	50554KC55-03-04	pre-tension spring
27	GB/T5780-2000	50554GB/T5780-2000	hex bolt M8X35
28	KC55-03-06	50554KC55-03-06	wire pin
29	KCM24-04(M4)-2	50554KCM24-04(M4)-2	control lever
30	KCW-04	50554KCW-04	plastic clip 8 (S03*00448)
31	KCM22B-06	50554KCM22B-06	belt cover
32	KCM24-08	50554KCM24-08	chute handle
33	KC55-18S	50554KC55-18S	plastic nut
34	KC21-16	50554KC21-16	pin
35	KC21-15	50554KC21-15	chute cap sealed cover
36	KC55-20S	50554KC55-20S	chute cap assembly
37	GB/T12-1988	GB/T12-1988	bolt M6X16
38	KCM24-11C	50554KCM24-11C	chute assembly
39	KCM24-19	50554KCM24-19	safty fence
40	KCW-04	50554KCW-04	cap 6
41	KC55-26	50554KC55-26	plastic washer
42	KC21-23	50554KC21-23	fence washer
43	KCM24-15C	50554KCM24-15C	connecting disc
44	KCM22A-17	50554KCM22A-17	chute fixed seating 1
45	KCM22A-18	50554KCM22A-18	leaf spring
46	KC55-24	50554KC55-24	shovel
47	KCM22A-19	50554KCM22A-19	chute fixed seating
48	GB/T12-1988	50554GB/T12-1988	bolt M6X20
49	GB/T845-1985	50554GB/T845-1985	self-tapping screw ST4.2*16
50	KCM24-05CA	50554KCM24-05CA	belt lever
51	3LXP665	505543LXP665	belt 3LXP665



<b>NO.</b>	<b>Part No. Výrobce</b>	<b>Part No. V-GARDEN</b>	<b>English Description</b>
1	GB/T5780-2000	50554GB/T5780-2000	hex bolt M10x25
2	GB/T5287-2002	50554GB/T5287-2002	big washer 10
3	KCM24-01-22	50554KCM24-01-22	belt pulley
4	GB/T1096-1979	50554GB/T1096-1979	flat key A6x6x14
5	GB/T889.1-2000	50554GB/T889.1-2000	jam nut M8
6	KCM24-02C-23	50554KCM24-02C-23	bearing seat
7	KC55-02-21A	50554KC55-02-21A	small tension pulley
8	KC55-02-20	50554KC55-02-20	washer for tension pulley
9	GB/T276-1994	50554GB/T276-1994	bearing 6004
10	KCM22B-01-1	50554KCM22B-01-1	big tension plate
11	GB/T5780-2000	50554GB/T5780-2000	bolt M8x30
12	KC55-01-21	50554KC55-01-21	shovel seat
13	GB/T845-1985	50554GB/T845-1985	screw ST4.2x9.5-F
14	KCM24-01B-03A	50554KCM24-01B-03A	housing assembly
15	GB/T6563-1986	50554GB/T6563-1986	hex screw M8x16
16	GB/T12-1988	50554GB/T12-1988	bolt M8x16
17	KC26-01-02	50554KC26-01-02	skid shoe plastic
18	GB/T96.2-2002	50554GB/T96.2-2002	big washer 8
19	KC55-01-02	50554KC55-01-02	skid shoe steel (optional)
20	KCM24-01C-06	50554KCM24-01C-06	fan
21	GB/T70.1-2000	50554GB/T70.1-2000	Inner Hexagonal Bolt M6X35
22	GB/T889.1-2000	50554GB/T889.1-2000	jam nut M6
23	KCM22B-01-7	50554KCM22B-01-7	worm shaft
24	KCM22B-01-09	50554KCM22B-01-09	cushion
25	GB/T1096-1979	50554GB/T1096-1979	flat key 5x5x35
26	KCM22B-01-4	50554KCM22B-01-4	worm head
27	GB/T276-1994	50554GB/T276-1994	ball bearing 6001
28	KC55-01-14	50554KC55-01-14	worm case left
29	GB/T9074.17	50554GB/T9074.17	bolt combination M6x20
30	KC55-01-12	50554KC55-01-12	paper washer
31	KCM24-01C-05	50554KCM24-01C-05	bearing inner seat
32	GB/T276-1994	50554GB/T276-1994	ball bearing 6203
33	KCM24-01C-04	50554KCM24-01C-04	bearing seat
34	KCM24-01-08A	50554KCM24-01-08A	left auger
35	KCM24-01-09A	50554KCM24-01-09A	output shaft
36	KC21-01-03	50554KC21-01-03	safety bolt
37	KC55-29	50554KC55-29	B pin
38	KC55-01-06	50554KC55-01-06	drive shaft sleeve
39	GB/T1096-1979	50554GB/T1096-1979	round head flat key 6x18
40	GB13871-1992	50554GB13871-1992	seal ring FB19x30
41	KCM24-01-21	50554KCM24-01-21	washer
42	GB/T70.3-2000	50554GB/T70.3-2000	screw M6x16
43	KCM24-01-13A	50554KCM24-01-13A	right auger
44	GB/T955-1987	50554GB/T955-1987	wave washer 13
45	KC55-01-13A	50554KC55-01-13A	worm
46	JB/T7940.2-1995	50554JB/T7940.2-1995	oil cup
47	KC55-01-09A	50554KC55-01-09A	output shaft sleeve $\phi$ 19
48	KC55-01-08B	50554KC55-01-08B	worm case right
49	KCM24-01-14	50554KCM24-01-14	support plate
50	GB/T5780-2000	50554GB/T5780-2000	bolt M6x25
51	GB/T301-1995	50554GB/T301-1995	single thrust bearing 51104
52	GB/T276-1994	50554GB/T276-1994	ball bearing 6004
53	GB13871-1992	50554GB13871-1992	seal ring FB20x35x7
54	KCM22B-01-8	50554KCM22B-01-8	bushing
55	KCM24-01-19A	50554KCM24-01-19A	scraper
56	GB/T12-1988	50554GB/T12-1988	bolt M8x20
57	DIN6927	50554DIN6927	hexagon locking-nuts with flange M8
58	KCM24-01C-07	50554KCM24-01C-07	fixing seat for chute



<b>NO.</b>	<b>Part No. Výrobce</b>	<b>Part No. V-GARDEN</b>	<b>English Description</b>
1	KCM22B-02-01A	50554KCM22B-02-01A	transmission case
2	KCM22B-02-02	50554KCM22B-02-02	shifting fork
3	KCM22B-02-03	50554KCM22B-02-03	small shaft sleeve
4	S03*00493	50554S03*00493	B pin $\phi$ 1.5x25
5	GB/T882-1986	50554GB/T882-1986	pin shaft B 8x35
6	KCM22B-02-04	50554KCM22B-02-04	driving shaft
7	KCM22B-02-05	50554KCM22B-02-05	driving gear
8	KCM22B-02-06	50554KCM22B-02-06	shaft sleeve
9	KC21-02-09	50554KC21-02-09	shaft washer
10	GB/T894.1-1986	50554GB/T894.1-1986	circlip A 20
11	GB/T889.1-2000	50554GB/T889.1-2000	hex screw M8
12	KCW-04	50554KCW-04	plastic clip 8
13	KCM22B-02-07A	50554KCM22B-02-07A	steel cover
14	GB/T276-1994	50554GB/T276-1994	bearing 6200N
15	KC21-02-25	50554KC21-02-25	gear
16	GB/T9074.17-2002	50554GB/T9074.17-2002	bolt M6x16
17	KC21-02-11A	50554KC21-02-11A	rubber pulley
18	KC21-02-12B	50554KC21-02-12B	ring seat
19	KC21-02-13	50554KC21-02-13	shift bearing
20	GB/T894.1-1986	50554GB/T894.1-1986	circlip 25
21	KCM22B-02-08	50554KCM22B-02-08	sexi-shaft
22	KCM22B-02-09	50554KCM22B-02-09	walking cable
23	GB/T70.1/2000	50554GB/T70.1/2000	hex bolt M5X35
24	GB/T889.1-2000	GB/T889.1-2000	hex nut M5
25	KC22B-07	50554KC22B-07	reset spring
26	KCM22B-02-11	50554KCM22B-02-11	seat for friction disc
27	GB/T95-2002	50554GB/T95-2002	flat washer C 10
28	GB/T93-1987	50554GB/T93-1987	spring washer 10
29	GB/T889.1-2000	50554GB/T889.1-2000	hex nut M12
30	GB/T6183.1-2000	50554GB/T6183.1-2000	hex nut M6
31	KCM22B-02-12	50554KCM22B-02-12	stepped screw M6
32	KCM22B-02-20	50554KCM22B-02-20	washer
33	GB/T276-1994	50554GB/T276-1994	bearing 6204-2LS
34	GB/T819.1-2000	50554GB/T819.1-2000	screw M6x12
35	KCM22B-02-13	50554KCM22B-02-13	cover for friction disc
36	KCM22B-02-14	50554KCM22B-02-14	transmission shaft
37	KCM22B-02-15	50554KCM22B-02-15	friction disc
38	KCM22B-02-21	50554KCM22B-02-21	stepped nut M8
39	GB/T9074.13-1988	50554GB/T9074.13-1988	hex bolt M8X16
40	GB/T70.1-2000	50554GB/T70.1-2000	hex screw M6X20
41	KCM22B-02-22	50554KCM22B-02-22	check ring
42	GB/T889.1-2000	50554GB/T889.1-2000	hex nut M6
43	KCM22B-02-16	50554KCM22B-02-16	small pulley
44	GB/T78-2000	50554GB/T78-2000	screw M8x8
45	5M710-15	505545M710-15	synchronous belt 5M710-15
46	S07*00419	50554S07*00419	flat key 4.7x4.7x60
47	KCM22B-02-17	50554KCM22B-02-17	small synchronous pulley
48	GB/T889.1-2000	50554GB/T889.1-2000	hex nut M8
49	KC55-02-21A	50554KC55-02-21A	small tension pulley
50	KCM22B-02-18B	50554KCM22B-02-18B	small tension plate
51	GB/T5780-2000	50554GB/T5780-2000	hex bolt M8x30
52	KCM22B-02-19	50554KCM22B-02-19	small tension spring
53	GB/T5780-2000	50554GB/T5780-2000	hex bolt M8x35
54	DIN6927	50554DIN6927	hex nut M8
55	Engine	Engine	engine