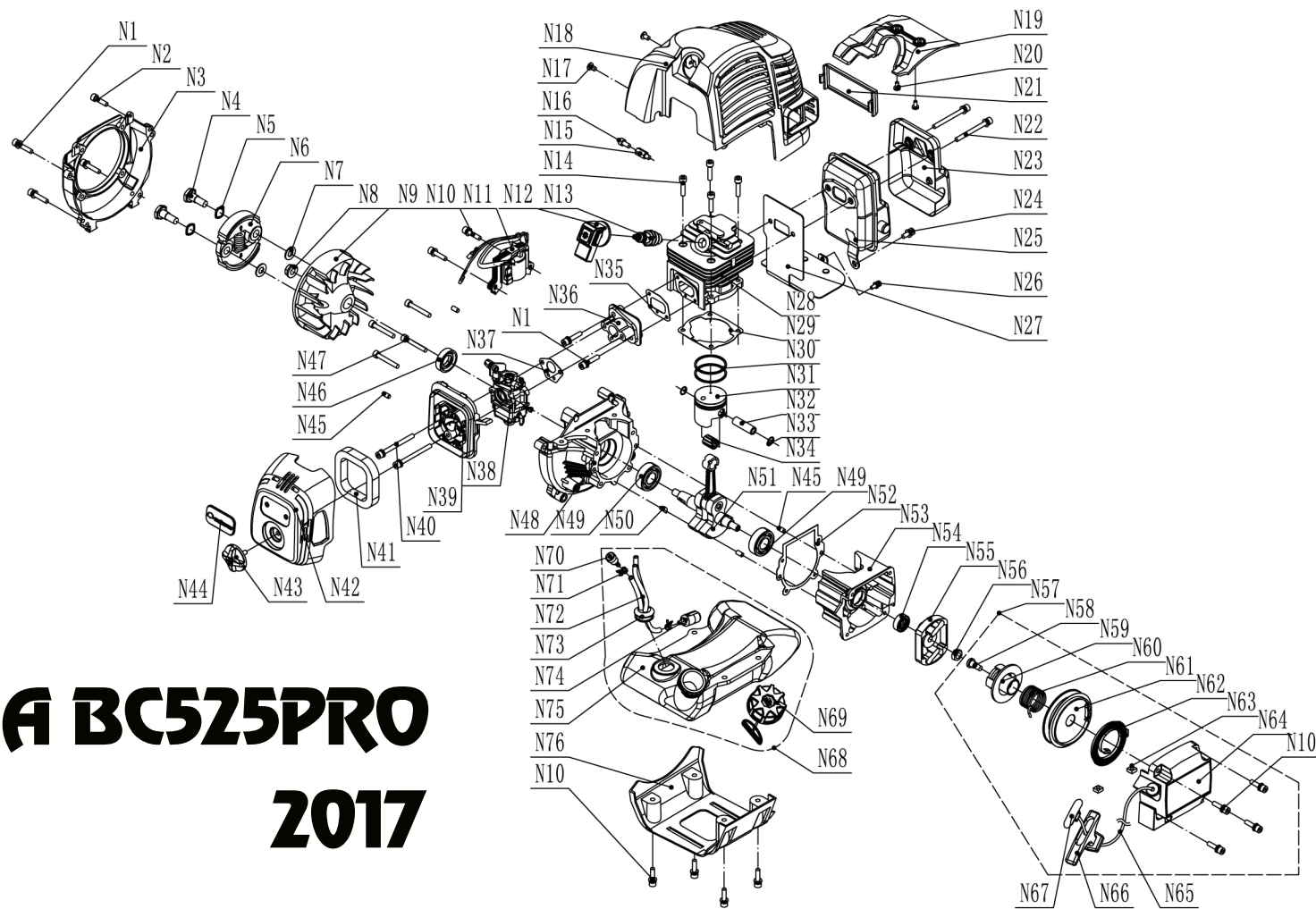


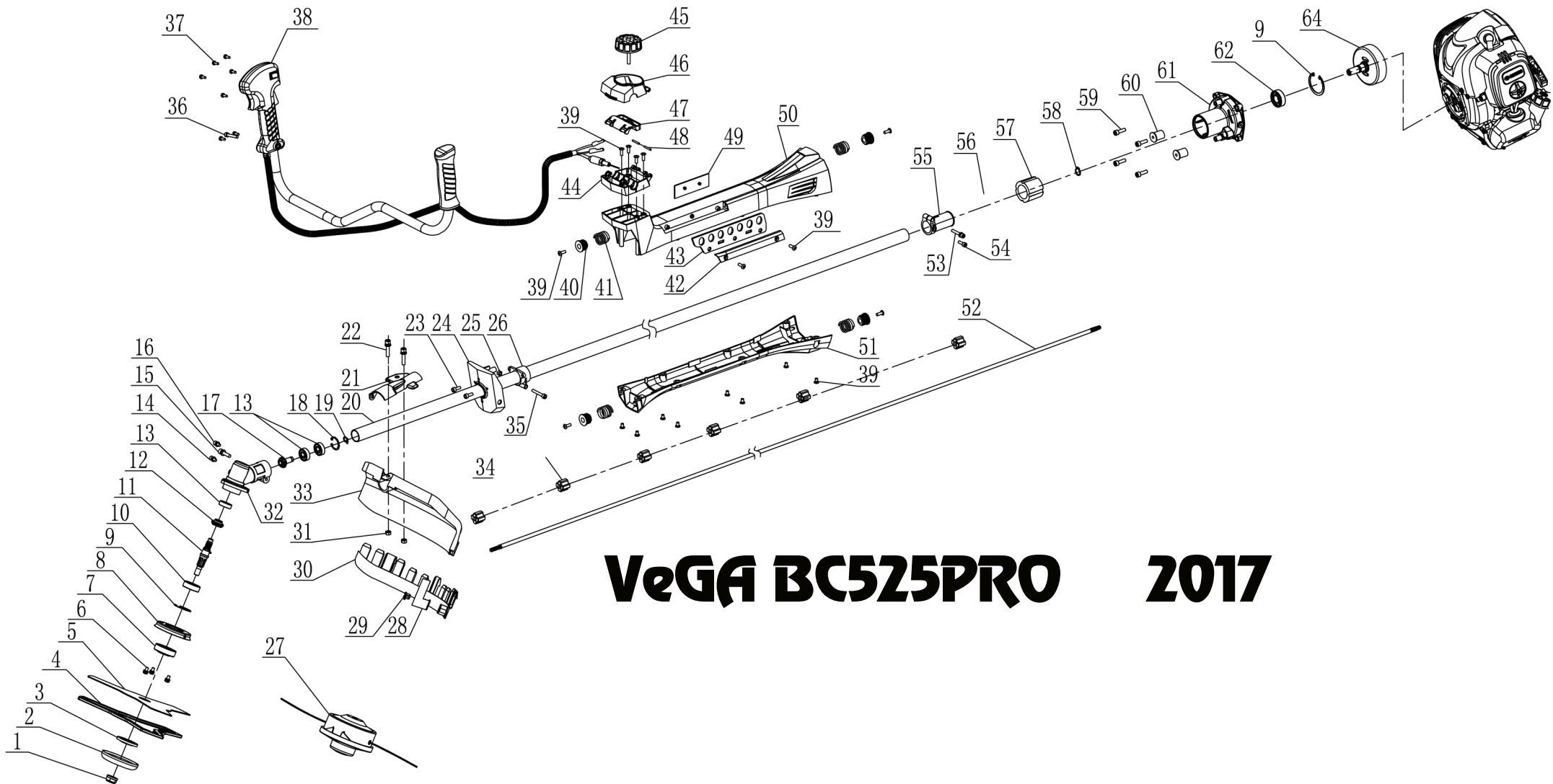
VeGA BC525PRO 2017



VeGA BC525PRO 2017

No.	ID Zboží	Název
N1	50BC525M01	Bolt M5x25
N2	50BC525M02	Bolt M5x20
N3	50BC525M03	Side cover
N4	50BC525M04	Screw, Clutch
N5	50BC525M05	Washer
N6	50BC525M06	Clutch
N7	50BC525M07	Washer
N8	50BC525M08	Flange nut M8
N9	50BC525M09	Flywheel
N10	50BC525M10	Bolt M5x20
N11	50BC525M11	Ignition coil
N12	50BC525M12	Cap, Spark plug
N13	50BC525M13	Spark plug
N14	50BC525M14	Bolt M5x20
N15	50BC525M15	Bolt
N16	50BC525M16	Bolt M5x10
N17	50BC525M17	Bolt M4x12
N18	50BC525M18	Cover, Cylinder
N19	50BC525M19	Top cover
N20	50BC525M20	ST4x8
N21	50BC525M21	Brand badge
N22	50BC525M22	Bolt M6x55
N23	50BC525M23	Heat insulation, Muffler
N24	50BC525M24	Bolt M5x10
N25	50BC525M25	Muffler
N26	50BC525M26	Bolt M4x14
N27	50BC525M27	Gasket, Muffler
N28	50BC525M28	Cylinder
N29	50BC525M29	Gasket, cylinder
N30	50BC525M30	Piston ring
N31	50BC525M31	Piston
N32	50BC525M32	Piston pin
N33	50BC525M33	Snap ring. Piston pin
N34	50BC525M34	Needle bearing
N35	50BC525M35	Gasket, Inlet pipe
N36	50BC525M36	Inlet pipe
N37	50BC525M37	Gasket, Carburator
N38	50BC525M38	Carburator
N39	50BC525M39	Air filter set
N40	50BC525M40	Bolt M5x55
N41	50BC525M41	Element
N42	50BC525M42	Cover, filtre
N43	50BC525M43	Knob
N44	50BC525M44	Brand badge
N45	50BC525M45	Pin \varnothing 5x10
N46	50BC525M46	Oil seal 10x30x7
N47	50BC525M47	Bolt M5x35
N48	50BC525M48	Left crankcase
N49	50BC525M49	Bearing 6202

No.	ID Zboží	Název
N50	50BC525M50	Woodruff key
N51	50BC525M51	Crankshaft
N52	50BC525M52	Gasket, crankcase
N53	50BC525M53	Right crankcase
N54	50BC525M54	Oil seal 12x22x7
N55	50BC525M55	Pullet
N56	50BC525M56	Nut M8
N57	50BC525M57	Starter ass'y
N58	50BC525M58	Screw
N59	50BC525M59	Ratchet
N60	50BC525M60	Torsion spring
N61	50BC525M61	Reel
N62	50BC525M62	Spring
N63	50BC525M63	Nut
N64	50BC525M64	Starter
N65	50BC525M65	Starter rope
N66	50BC525M66	Starter knob
N67	50BC525M67	Collar
N68	50BC525M68	Fuel tank ass'y
N69	50BC525M69	Cap
N70	50BC525M70	Equilibrator
N71	50BC525M71	Clip
N72	50BC525M72	Fuel pipe
N73	50BC525M73	Pipe set
N74	50BC525M74	Fuel filter
N75	50BC525M75	Tank
N76	50BC525M76	Branket, tank



VeGA BC525PRO

2017

No.	ID Zboží	Název
1	50BC525V01	M10 Nut (Spin to left)
2	50BC525V02	Protect cover
3	50BC525V03	Up pressing plate
4	50BC525V04	Protection of blade
5	50BC525V05	3T blade
6	50BC525V06	M5*10 Bolt
7	50BC525V07	Down pressing cover
8	50BC525V08	Dustproof cover
9	50BC525V09	∅35 Internal circlip
10	50BC525V10	6002 Bearing
11	50BC525V11	Spline shaft
12	50BC525V12	Ring gear
13	50BC525V13	6000 Bearing
14	50BC525V14	Grease fitting
15	50BC525V15	M5*25 combination screw
16	50BC525V16	M5*25 combination screw
17	50BC525V17	Driving gear
18	50BC525V18	∅26 retainer ring
19	50BC525V19	∅10 retainer ring
20	50BC525V20	Working shaft
21	50BC525V21	Seat of guard
22	50BC525V22	M6*25 combination screw
23	50BC525V23	M5*14 screw
24	50BC525V24	Front fixed seat
25	50BC525V25	M5 Nut
26	50BC525V26	Csing
27	50BC525V27	Nylon trimmer
28	50BC525V28	Knife
29	50BC525V29	ST4*10 Nut
30	50BC525V30	Prostectioin of guard
31	50BC525V31	M6 Nut
32	50BC525V32	Gear case
33	50BC525V33	Guard
34	50BC525V34	Oil bearing
35	50BC525V35	M5*35 screw
36	50BC525V36	M6*35 screw
37	50BC525V37	ST4*12 screw
38	50BC525V38	Throttle cable comp
39	50BC525V39	ST5*14 Nut
40	50BC525V40	Holder for damped spring
41	50BC525V41	Damped spring
42	50BC525V42	Cover for seat of rings
43	50BC525V43	Seat of rings
44	50BC525V44	Fixed seat for handle
45	50BC525V45	Lock net
46	50BC525V46	ressing plate of handle fixed seat
47	50BC525V47	Pressing plate of handle
48	50BC525V48	∅3 round pin
49	50BC525V49	Logo plate

No.	ID Zboží	Název
50	50BC525V50	Side window
51	50BC525V51	Down sleeve
52	50BC525V52	Transmission shaft
53	50BC525V53	M5*25 screw
54	50BC525V54	M5*12 screw
55	50BC525V55	Connecting pipe
56	50BC525V56	∅45 retainer ring
57	50BC525V57	Anti-vibration sleeve
58	50BC525V58	∅15 Rainter ring
59	50BC525V59	M6*20 Nut
60	50BC525V60	Position rubber
61	50BC525V61	Housing
62	50BC525V62	6202 Bearing
63	50BC525V63	Clutch