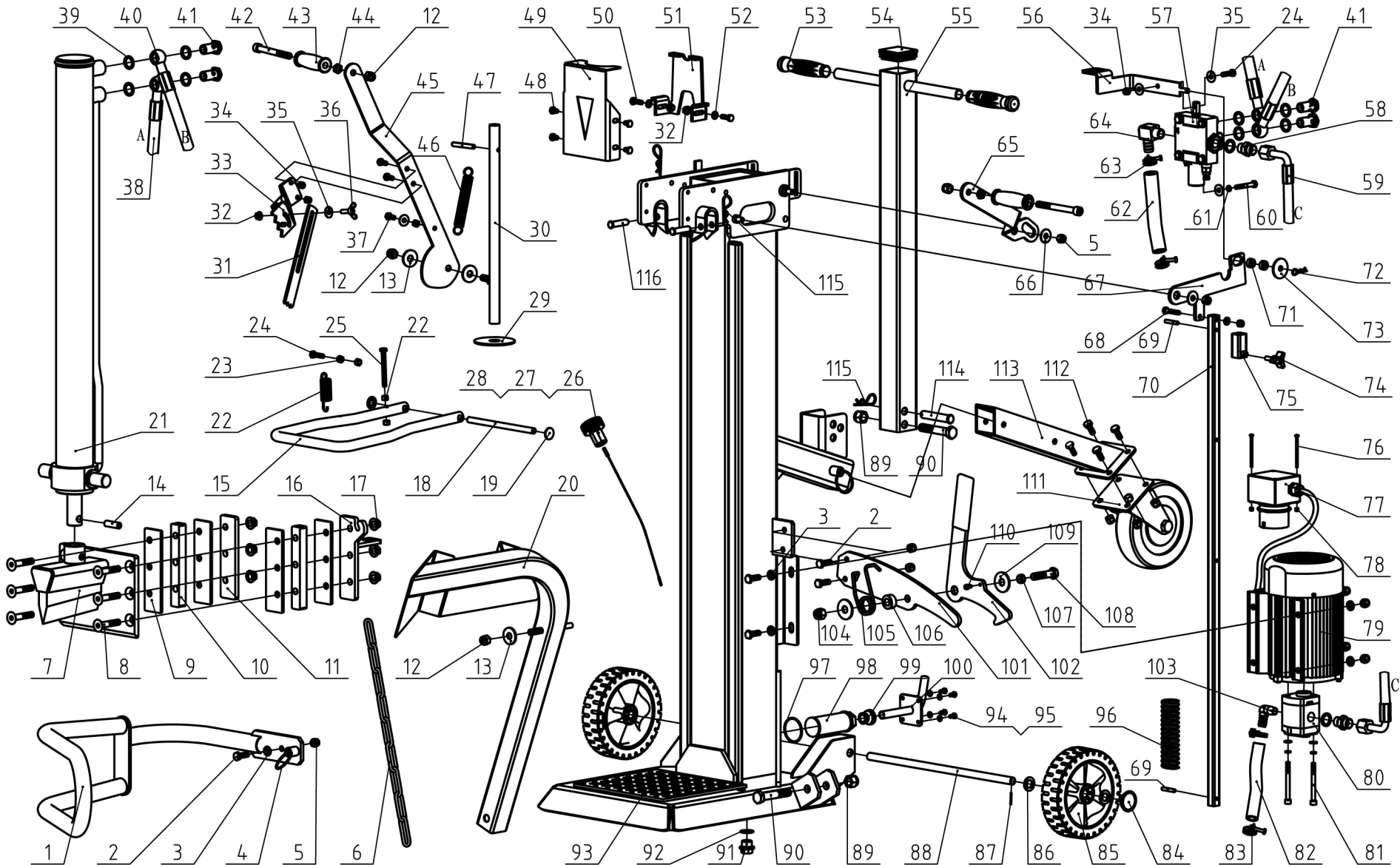


VeGA LV1110 PRO VARIO, VeGA LV1410 PRO VARIO

r.v. 2020



No.	ID zboží	Název
1	50LV1110V001	Left Guard Bracket
2	50LV1110V002	Bolt 8.8 M10x30
3	50LV1110V003	Flat Washer 10
4	50LV1110V004	Locating Pin Handle
5	50LV1110V005	Locknut M10
6	50LV1110V006	Lift Chain ϕ 6
7	50LV1110V007	Wedge Weldment
8	50LV1110V008	Bolt 8.8 M12x65
9	50LV1110V009	Friction Plate
10	50LV1110V010	Baffle Plate
11	50LV1110V011	Left Plate
12	50LV1110V012	Locknut M12
13	50LV1110V013	Large Washer 12
14	50LV1110V014	Cylindrical Pin 8x40
15	50LV1110V015	Control U-Handle
16	50LV1110V016	Right Plate
17	50LV1110V017	Nut M12
18	50LV1110V018	Axis Pin
19	50LV1110V019	Wheel Cap 12
20	50LV1110V020	Lift Guard
21	50LV1110V021	Cylinder for model LV1110
	50LV1410V021	Cylinder for model LV1410
22	50LV1110V022	Spring
23	50LV1110V023	Nut M8
24	50LV1110V024	Bolt 8.8 M8x30
25	50LV1110V025	Bolt 8.8 M8x80
26	50LV1110V026	Oil Cap
27	50LV1110V027	O- Ring 25x2.65
28	50LV1110V028	Oil Dipstick
29	50LV1110V029	Nylon Washer
30	50LV1110V030	Shaft
31	50LV1110V031	Extended Log Fixing Claw
32	50LV1110V032	Nut M8
33	50LV1110V033	Log Fixing Claw
34	50LV1110V034	Locknut M8
35	50LV1110V035	Large Washer 8
36	50LV1110V036	Wing Bolt M8x25
37	50LV1110V037	Bolt M8x20
38	50LV1110V038	Lower Hose
39	50LV1110V039	Combined Washer 20
40	50LV1110V040	Upper Hose
41	50LV1110V041	Valve Connector
42	50LV1110V042	Screw M12x120
43	50LV1110V043	Operating Handle Grip
44	50LV1110V044	Thin Nut M12
45	50LV1110V045	Lever
46	50LV1110V046	Reset Spring
47	50LV1110V047	Cylindrical Pin 8x60
48	50LV1110V048	Bolt M8x12

No.	ID zboží	Název
49	50LV1110V049	Front Support Plate
50	50LV1110V050	Bolt M8x25
51	50LV1110V051	Rear Support Plate
52	50LV1110V052	Flat Washer 8
53	50LV1110V053	Handle Grip
54	50LV1110V054	Square Plug
55	50LV1110V055	Pull Rod
56	50LV1110V056	Connecting Plate for Valve
57	50LV1110V057	Valve
58	50LV1110V058	Hose Nipple
59	50LV1110V059	Inlet Hose
60	50LV1110V060	Bolt 8.8 M8x50
61	50LV1110V061	Spring Washer 8
62	50LV1110V062	Oil Hose 19
63	50LV1110V063	Hose Clamp 28-36
64	50LV1110V064	Hose Connector
65	50LV1110V065	Right Operating Lever
66	50LV1110V066	Large Washer 10
67	50LV1110V067	Connectin Lever
68	50LV1110V068	Bolt 8.8 M8x40
69	50LV1110V069	Cylindrical Pin 6x40
70	50LV1110V070	Stroke Adjusting Lever
71	50LV1110V071	Round Plate
72	50LV1110V072	Clip 2.5
73	50LV1110V073	Large Washer 10
74	50LV1110V074	Star Knob
75	50LV1110V075	Adjusting Sleeve
76	50LV1110V076	Screw M4x60
77	50LV1110V077	Switch for model LV1110
	50LV1410V077	Switch for model LV1410
78	50LV1110V078	Locknut M4
79	50LV1110V079	Motor for model LV1110
	50LV1410V079	Motor for model LV1410
80	50LV1110V080	Gear Pump model LV1110
	50LV1410V080	Gear Pump model LV1410
81	50LV1110V081	Screw M8x90
82	50LV1110V082	Oil Hose 16
83	50LV1110V083	Hose Clamp 20-26
84	50LV1110V084	Wheel Cap
85	50LV1110V085	Wheel
86	50LV1110V086	Flat Washer 16
87	50LV1110V087	Cotter Pin 2x20
88	50LV1110V088	Wheel Axle
89	50LV1110V089	Locknut M16
90	50LV1110V090	Bolt 8.8, M16x90
91	50LV1110V091	Screw Plug
92	50LV1110V092	Combined Washer 22
93	50LV1110V093	Main Frame
94	50LV1110V094	Bolt 8.8 M6x12

No.	ID zboží	Název
95	50LV1110V095	Flat Washer 6
96	50LV1110V096	Buffer Spring
97	50LV1110V097	O- Ring 50x2.65
98	50LV1110V098	Oil Filter K
99	50LV1110V099	Bush K
100	50LV1110V100	Flange
101	50LV1110V101	Locating Plate
102	50LV1110V102	Hook
103	50LV1110V103	Rectangular Nozzle
104	50LV1110V104	Locknut M14
105	50LV1110V105	Torsional Spring
106	50LV1110V106	Locating Bush for Spring
107	50LV1110V107	Locating Bush
108	50LV1110V108	Bolt 8.8 M14x60
109	50LV1110V109	Large Washer 14
110	50LV1110V110	Screw M6x10
111	50LV1110V111	Support Wheel Assy.
112	50LV1110V112	Bolt M10x25
113	50LV1110V113	Fixing Tube
114	50LV1110V114	Pin B 16x85
115	50LV1110V115	Clip 3
116	50LV1110V116	Pin 12x50 for model LV1110
	50LV1410V116	Pin 12x55 for model LV1410