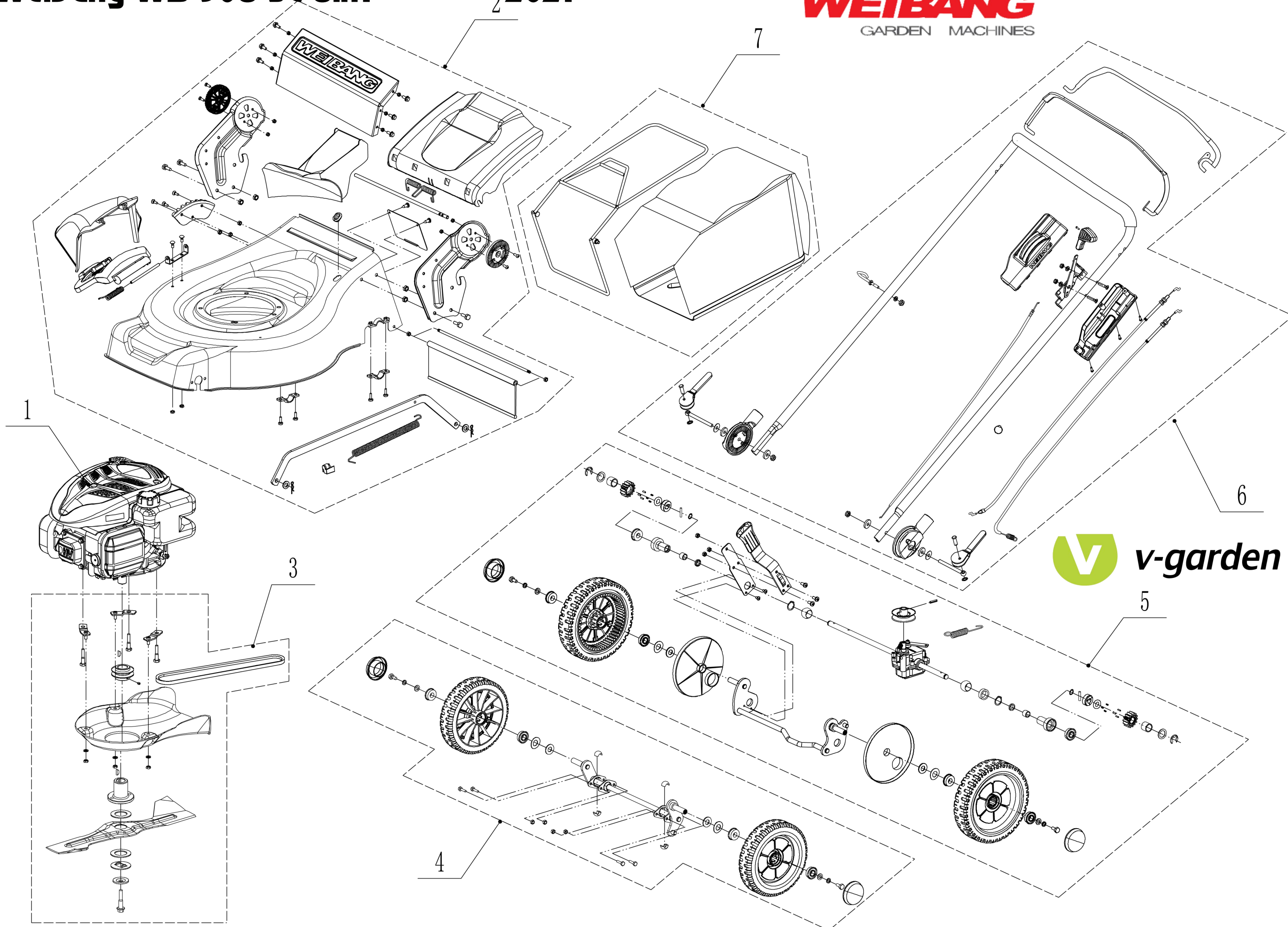


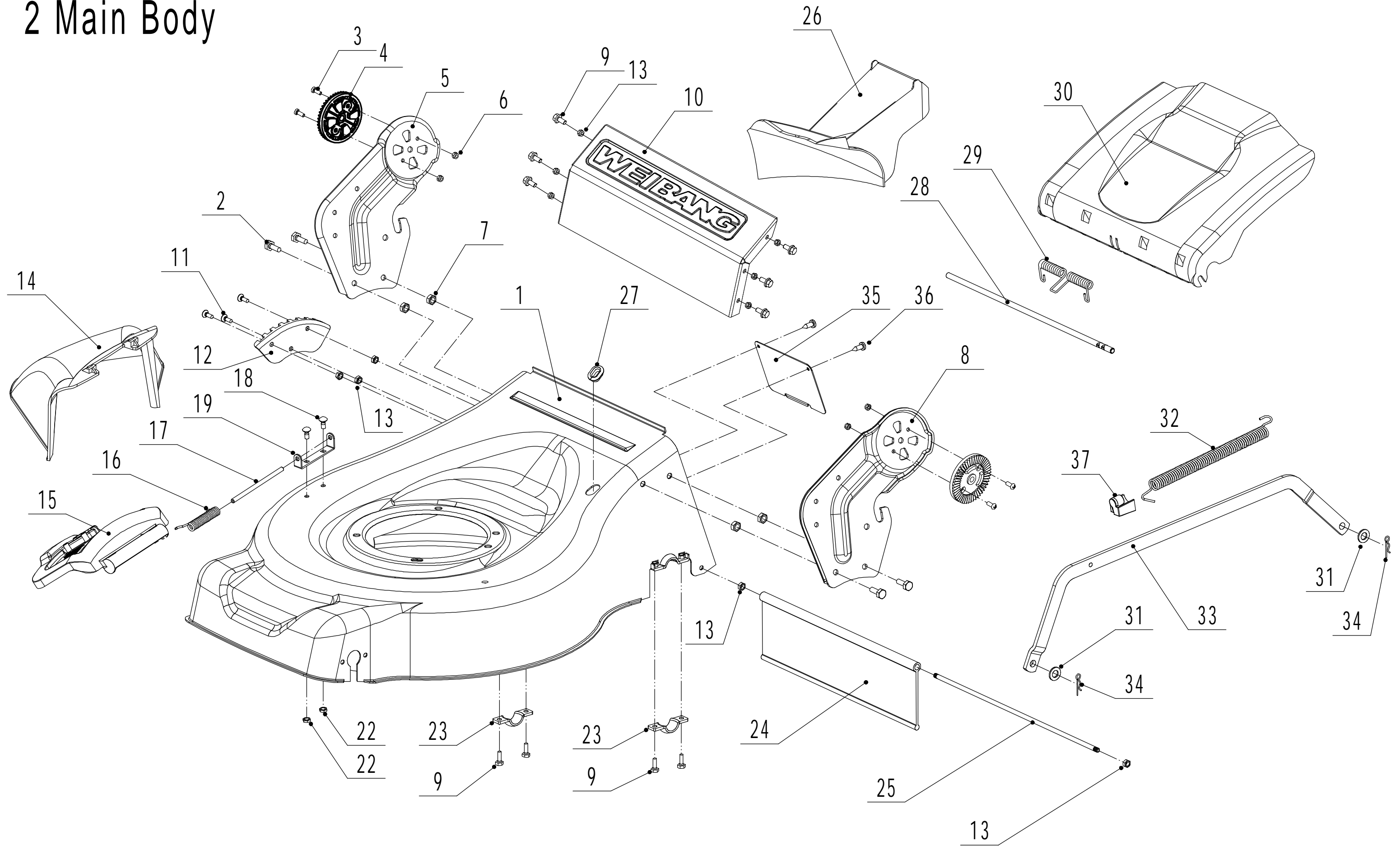
Weibang WB 506 SC 6in1

2021

WEIBANG[®]
GARDEN MACHINES

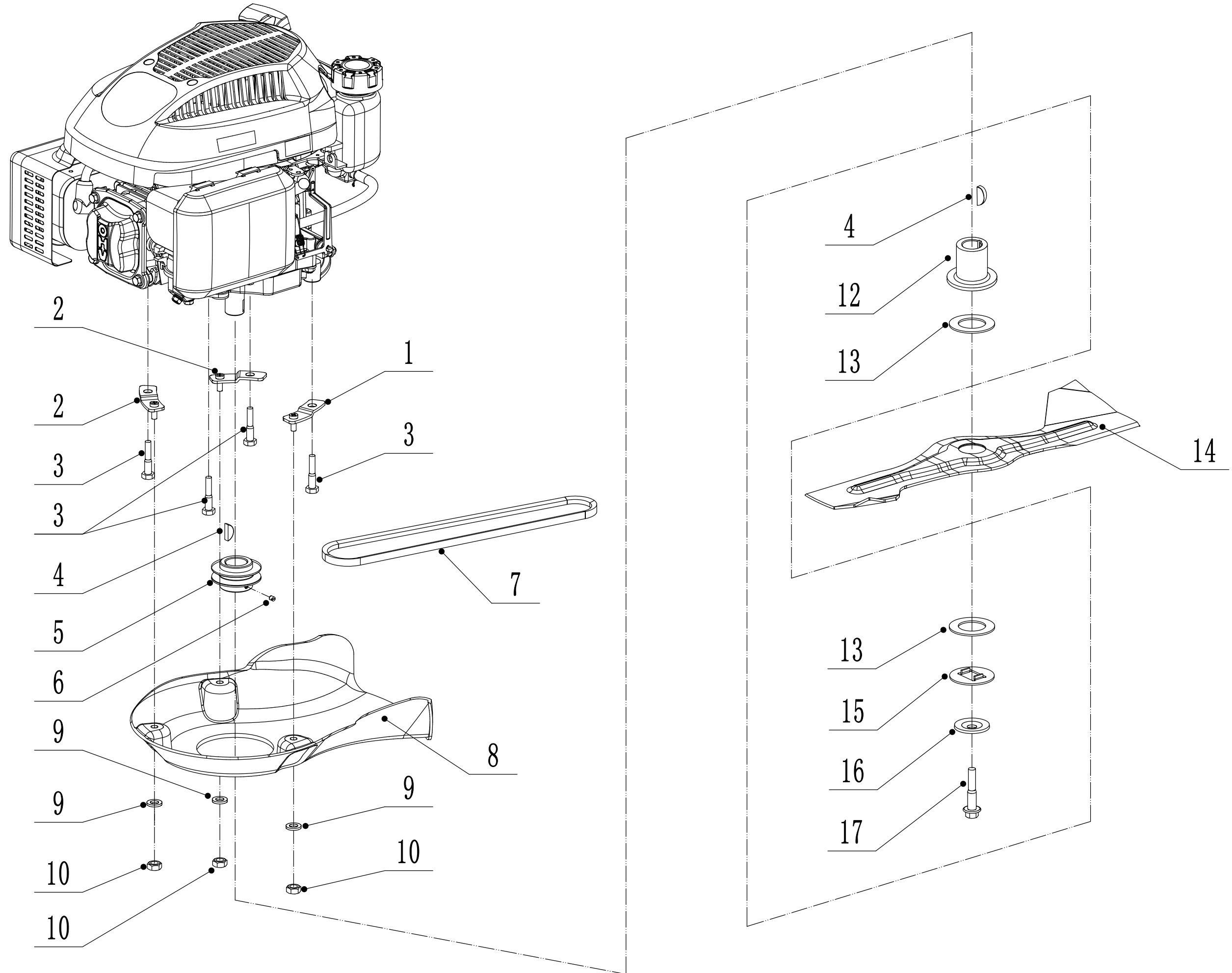


2 Main Body



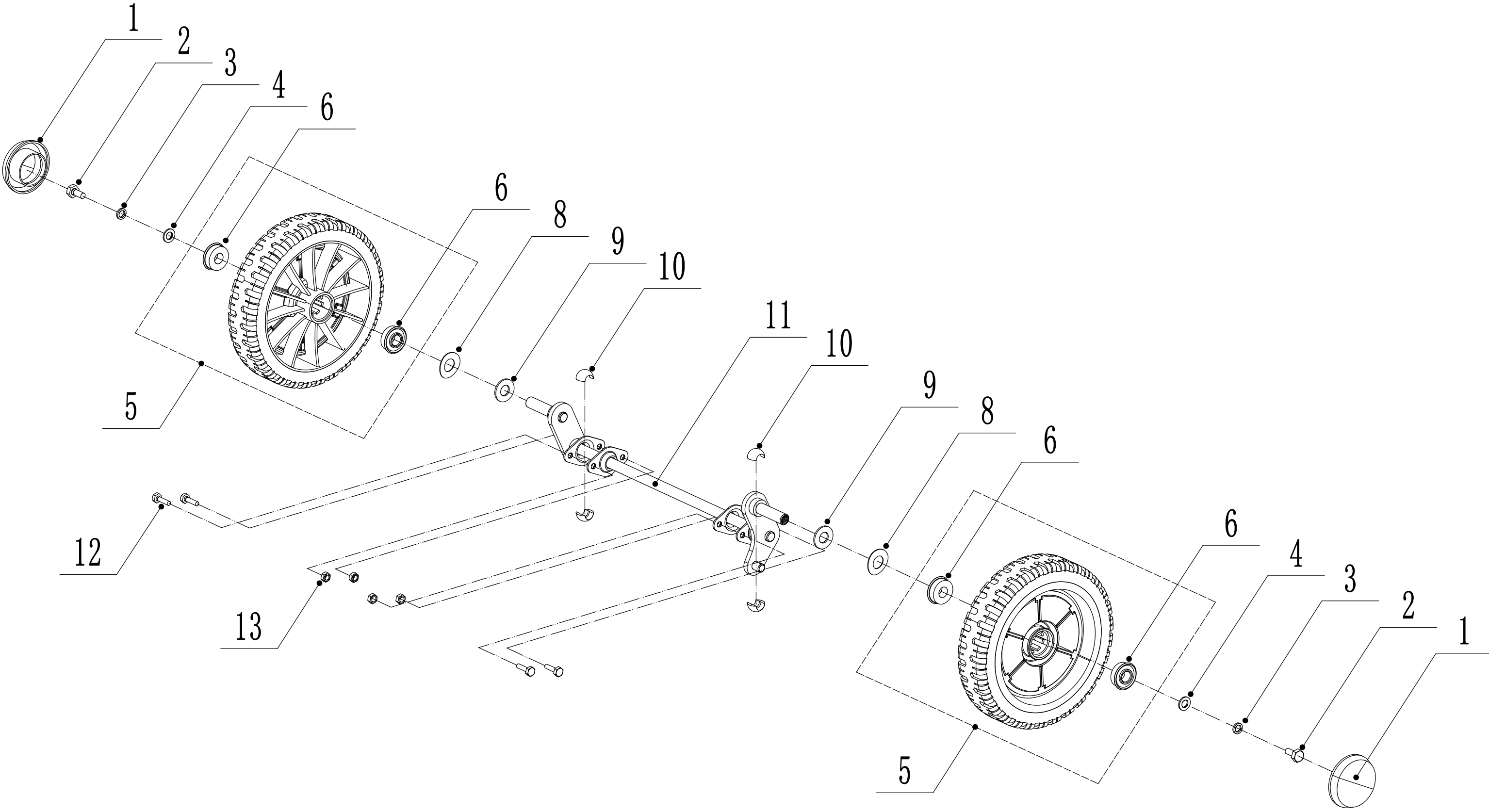
| 2 Part2 Main Body Spare parts price list | | |
|--|------------------|------------------------------|
| Order | Part number | Name_English |
| 1 | 5040101011/49 | Chassis |
| 2 | 0102008016 | Bolt - M8x16 |
| 3 | 0104005012 | Screw - M5x12 |
| 4 | AVSA000000040/22 | Tooth Disc |
| 5 | 4560112010K/40 | AVS Bracket - R/H |
| 6 | 0202005000 | Lock Nut - M5 |
| 7 | 0202008000 | Lock Nut - M8 |
| 8 | 4560111010K/40 | AVS Bracket - L/H |
| 9 | 0102006012 | Bolt - M6x12 |
| 10 | 5040111030/49 | Connector |
| 11 | 0104006016 | Screw - M6x16 |
| 12 | 4560110010/01 | Graduator |
| 13 | 0202006000 | Lock Nut - M6 |
| 14 | 5040108010 | Side Discharge Deflector |
| 15 | 5040107012 | Side Discharge Cover Kit |
| 16 | 5020119010 | Side Discharge Cover Pivot |
| 17 | 5020120010/02 | Side Discharge Cover Spring |
| 18 | 0107006014 | Bolt |
| 19 | 5020118010/02 | Side Discharge Cover Bracket |
| 22 | 0204006000 | Lock Nut - M6 |
| 23 | 5320114020/01 | Upper Bearing Bracket |
| 24 | 4510111030 | Trailing Flap |
| 25 | 5020117010/02 | Pivot - Trailing Flap |
| 26 | 5040104010 | Mulching Plug |
| 27 | 5360122010C | Rubber Ring |
| 28 | 5040106010/02 | Pivot - Rear Cover |
| 29 | 5360118010 | Spring - Rear Cover |
| 30 | 5040105010 | Rear Cover |
| 31 | 0301010000 | Plain Washer - M10 |
| 32 | WB2100020102/01 | Spring - Connecting Rod |
| 33 | 5040109050/40 | Connecting Rod |
| 34 | 5320333010 | Spring Clip |
| 35 | 5360105010D/49 | Baffle |
| 36 | 0106004009 | Screw - ST4.2x9.5 |
| 37 | 4560109012 | Spring Bracket |

3 Blade System



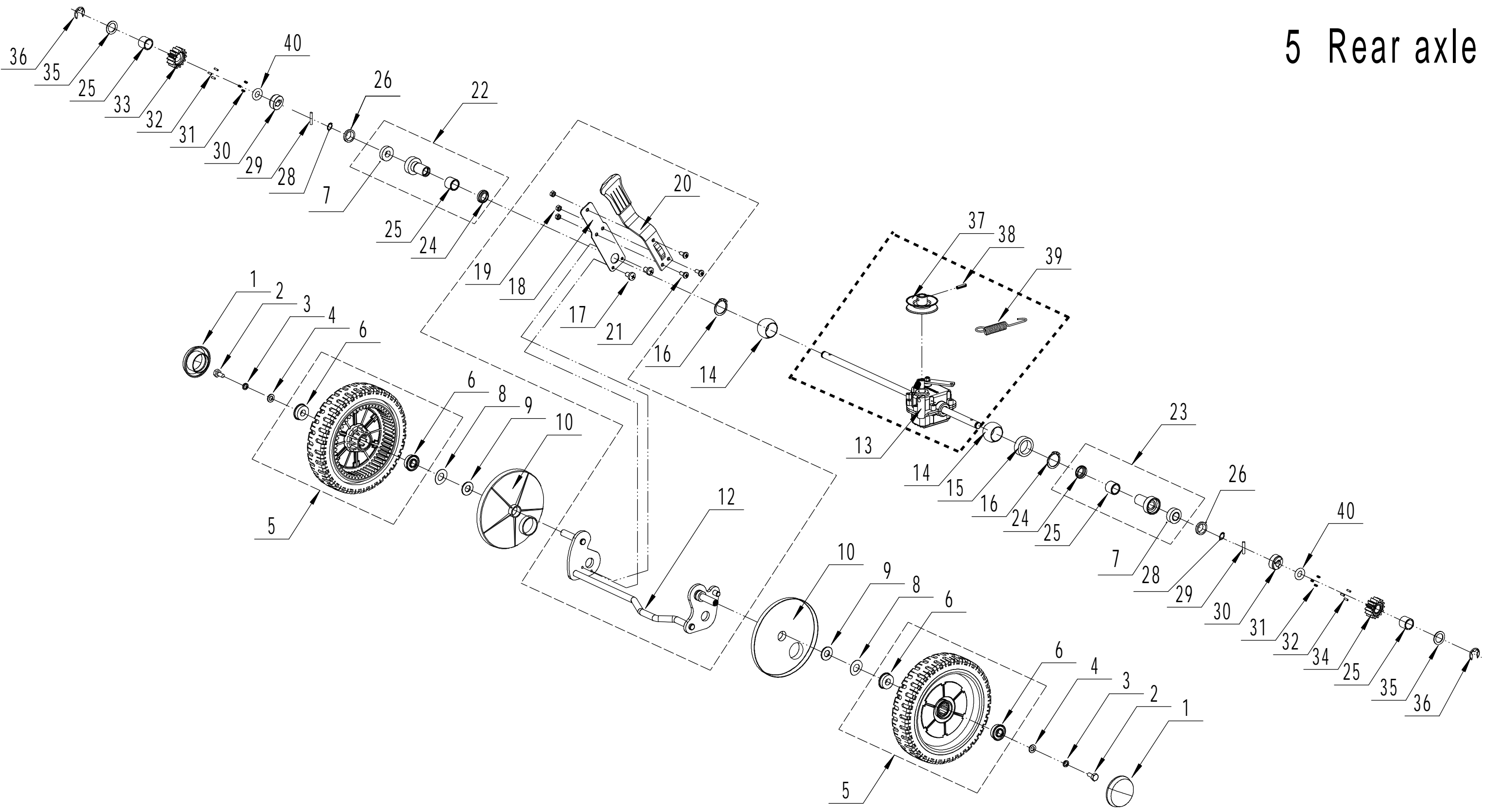
| 3 Part3 Blade System Spare parts price list | | |
|---|----------------|--------------------------|
| Order | Part number | Name_English |
| 1 | 5360111010/02 | Engine Washer 1 |
| 2 | 5360112010/02 | Engine Washer 2 |
| 3 | 5320115010 | ST Screw - 3/8x16x25 |
| 4 | 4510401010 | Key 4 |
| 5 | 5020402070/02 | Engine Pulley |
| 6 | 0105006006 | Locating Screw - M6x6 |
| 7 | 5320119011 | V Belt - V10x805 |
| 8 | 5040102010 | Belt Shield |
| 9 | 0302006000 | Big Flat Washer - M6 |
| 10 | 0202006000 | Lock Nut - M6 |
| 12 | 5320404020/02 | Adaptor |
| 13 | 5310402010 | Friction Washer |
| 14 | 5020405010A/32 | Blade |
| 15 | 5310404010/02 | Locking Disk |
| 16 | 5310406010/04 | Dish Washer |
| 17 | 5320405011 | Central Bolt - 3/8x24x55 |

4 Front Axle



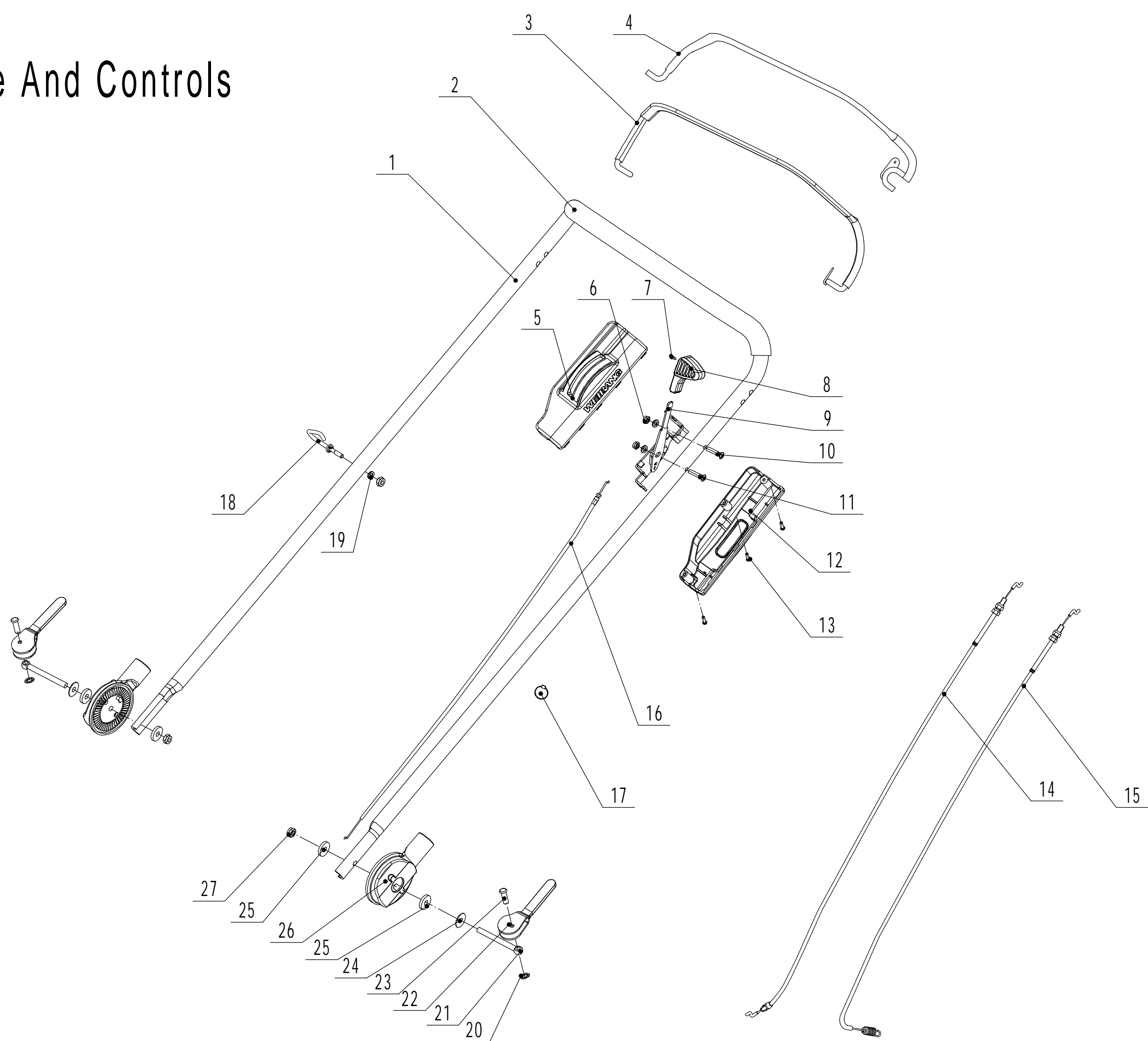
| 4 | Part4 Front axle Spare parts price list | |
|-------|--|----------------------|
| Order | Part number | Name_English |
| 1 | 5310214010 | Wheel Cap |
| 2 | 0101008015 | Bolt - M8x15 |
| 3 | 0401008000 | Spring Washer - M8 |
| 4 | 0301008000 | Washer - M8 |
| 5 | 5310212010/40 | Wheel Assembly |
| 6 | 5310213010 | Bearing |
| 8 | 5310211010/02 | Spacer - M12.7 |
| 9 | 5310210010/02 | Plain Washer - M12.7 |
| 10 | 5310209010 | Bearing Holder |
| 11 | 5040201020/01 | Front Axle Welding |
| 12 | 0102006012 | Bolt - M6x12 |
| 13 | 0202006000 | Lock Nut - M6 |

5 Rear axle



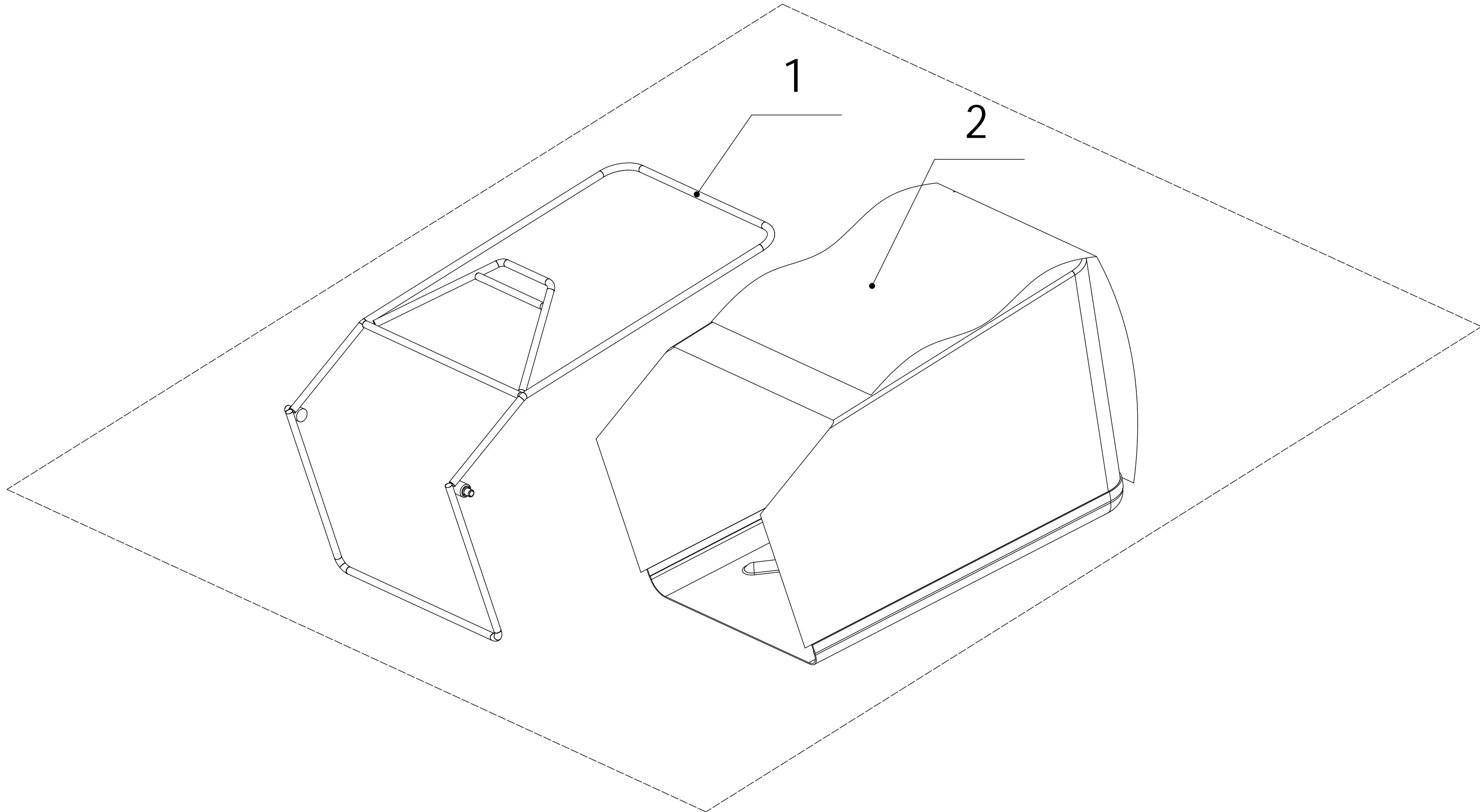
| 5 | Part5 Rear Axle Spare Parts Price List | |
|-------|--|-------------------------------|
| Order | Part Number | Name_English |
| 1 | 5310214010 | Wheel Cap |
| 2 | 0101008015 | Bolt - M8x15 |
| 3 | 0401008000 | Spring Washer - M8 |
| 4 | 0301008000 | Washer - M8 |
| 5 | 5340309010/40 | Wheel Assembly |
| 6 | 5310213010 | Bearing |
| 7 | R8-2RS | Bearing |
| 8 | 5310211010/02 | Spring Washer - M12.7 |
| 9 | 5310210010/02 | Plain Washer - M12.7 |
| 10 | 5340312010 | Rear Wheel Shield |
| 12 | 5040301013/01 | Rear Axle Frame |
| 13 | Y205040P | Rear Transmission Assembly |
| 14 | 5320328010 | Nylon Ball Bearing |
| 15 | 5320329010/02 | Rear Axle Partition |
| 16 | 1001020000 | Circlip - M20 |
| 17 | 0113005008 | Screw - M5x8 |
| 18 | 5360311010/22 | Spring Of Adjustment Lever |
| 19 | 0202006000 | Lock Nut - M6 |
| 20 | 5360310010/40 | Adjustment Lever |
| 21 | 0101006014 | Bolt - M6x14 |
| 22 | Y065321 | Reft Bearing Sheath Assembly |
| 23 | Y065320 | Light Bearing Sheath Assembly |
| 24 | 5320327010 | Dustproof Ring |
| 25 | 5320326010P | Bearing |
| 26 | GM48S010000010 | Spacer |
| 28 | 1001012000 | Circlip - M12 |
| 29 | HQ000100060 | Pin For Ratchet |
| 30 | HQ000100050 | Ratchet |
| 31 | HQ000100040 | Spring |
| 32 | HQ000100030 | Pin |
| 33 | HQ000100020 | Drive Pinion - R/H |
| 34 | HQ000100010 | Drive Pinion - L/H |
| 35 | 5020311010/04 | Washer |
| 36 | 1301009000 | E-Clip - M9 |
| 37 | 5020308020 | Gearbox pulley |
| 38 | 0701005020 | Spring Pin - 5x20 |
| 39 | 4820317010 | Gearbox Spring |
| 40 | 1401025015 | O-Ring |

6 Handle And Controls



| 6 Part6 Handle and Controls Spare parts price list | | |
|--|-------------------|----------------------------------|
| Order | Part number | Name_English |
| 1 | 5020501020S/49 | Handle |
| 2 | GM56E010000082 | Handle Sheath |
| 3 | 5320511030S/40 | Clutch Lever |
| 4 | 5320503020S/40 | OPC Lever |
| 5 | GM46E050000030 | Throttle Control Box Upper Cover |
| 6 | 0202006000 | Lock Nut - M6 |
| 7 | 0106003013 | Screw - ST2.9x13 |
| 8 | 5380510010 | Throttle Control Grip |
| 9 | GM46B050100000 | Frame - Throttle Control |
| 10 | 0108006040 | Screw - M6x40 |
| 11 | 0108006050 | Screw - M6x50 |
| 12 | GM46E050000040 | Throttle Control Box Lower Cover |
| 13 | 0113040018 | Screw - ST4x18 |
| 14 | BS120 -1140 | OPC Cable |
| 15 | LH194-1225 | Clutch Cable |
| 16 | YM72-1010-A | Throttle Cable |
| 17 | ZD8/200 | Cable tie |
| 18 | 4510511010/01 | Hook - Starter Rope |
| 19 | 0301006000 | Washer - M6 |
| 20 | 4510114030 | Fix Cap |
| 21 | GM48S000000100 | Connecting Bolt |
| 22 | GM56A100400000 | Lock Lever |
| 23 | 0801008025 | Axis Pin - 8x25 |
| 24 | GM56A100000040/04 | Spacer |
| 25 | GM56A100000050/01 | Spacer |
| 26 | GM48S030200000 | Tooth Disc Kit |
| 27 | 0203008000 | Lock Nut-M8 |

7 Grass Catcher



| | | |
|--------------|---|---------------------|
| 7 | Part7 Grasscatcher Spare parts price list | |
| Order | Part number | Name_English |
| 1 | 5040602010/22 | Grass Bag Frame |
| 2 | 5040603010/84 | Grass Bag |